



**7FGU/7FDU**  
**PNEUMATIC TIRE**  
8,000 to 11,000 lbs. • *3,628 to 4,989 kg.*  
**SPECIFICATIONS**



INDUSTRIAL EQUIPMENT 

# 8,000 to 11,000 lbs. 3,628 to 4,989 kg. • Standard Features

## SAFETY

- System of Active Stability (SAS)
  - Active control rear stabilizer
  - Active mast function controller
  - SAS operation monitor
  - SAS warning light and alarm
- Key lowering interlock
- Drift control system
- Double action parking brake
- Electric horn
- Neutral start safety switch
- Asbestos free components
- High visibility overhead guard
- Low noise emissions
- Back-up alarm

## PERFORMANCE

- 4.3 liter, 262 cu. in., overhead valve (OHV) V-6 gasoline engine
- UL "G/LP" model
- Gasoline/LPG dual fuel system
- 4.6 liter, 281 cu. in., overhead valve (OHV) 6-cyl. diesel engine (13Z)
- UL "D" diesel model
- Planetary drive axle
- Centralized Hydraulic Power-assist System (CHPS)
  - Power brakes
  - Hydrostatic power steering
  - Hydraulic functions
- Hydraulic valve lifters (gasoline engine only)
- Automatic 2 speed transmission
  - 2 speed torque converter design
  - 2 speeds forward, 2 speeds reverse
- Class III hook carriage (8000, 9000 & 10,000 lb models only)
- Class IV hook carriage (11,000 lb model only)
- Electric governor (gasoline engine only)
- Hydraulic oil cooler (available on 8000-11,000 lb diesel engine models) (standard with 4-way valve)
- High-efficiency radiator
- Radiator lint screen
- 8-inch cyclone air cleaner with external air intake mounted high on the overhead guard (OHG)
- Sedimentor (water separator) and suction filter (diesel engine models only)
- Automatic choke (gasoline engine models only)
- Alternator w/ integrated circuitry regulator
- Sealed starter (except diesel engine models)
- Air cleaner discharge valve
- Torque converter with oil cooler
- Transistorized ignition assembly (gasoline engine models only)
- Low maintenance battery
- 3-way hydraulic control valve
- Anti-restart ignition key switch
- Air cleaner discharge valve
- Rubber mounted radiator

## OPERABILITY AND ERGONOMICS

- Strategically configured instrument display
- Integrated monitoring system
- Automatic fork leveling
- Memory tilt steering wheel
- Full hydrostatic power steering
- Two-spoke steering wheel
- Heavy duty non-slip floor mat
- Non-slip hand pad on engine hood
- Dual operator assist grips
- Wide entry steps
- LPG fuel system with swing out LP tank bracket
- Driver's 4-way adjustable ultra-comfort semi-suspension seat with adjustable lumbar support
- Large hood-mounted clipboard
- Dash integrated pen/pencil/cup holder
- Adjustable front headlights and guards
- Front combination lights - includes clearance lights and turn signal
- High mount rear combination lights - includes brake, clearance back-up lights and turn signal
- Electronic shift control
- Integrated head light and turn signal lever
- Sealed closure engine hood with sound and heat insulation
- Wide view mast (V)
- Wide view carriage bars
- Load backrest extension
- Pendant-mounted pedals
- Independent brake & inching pedals
- Draw bar pin
- Rubber mounting for control valve
- Cowl mounted hydraulic control levers with rubber boot covers

## SERVICEABILITY

- Easy access no-tools floorboard
- Fully opening steel engine hood with sound and heat insulation
- Engine hood assist damper with lock device
- Easy access fuse box panel
- Easy access radiator cover and lint screen
- Easy access engine air filter
- Low maintenance battery

## OPTIONAL EQUIPMENT

- EZ pedal (foot directional control)
- Steel cab
- Canvas cab
- Engine protection system (except diesel engine)
- Wide-view full free lift 2-stage mast (FV)
- Wide-view full free lift 3-stage mast (FSV)
- LPG fuel system with swing down tank bracket
- UL "LPS" model
- Class III hang on sideshifter (8000, 9000 & 10,000 lb models)
- Class IV hang on sideshifter (11,000 lb model only)
- LPG low-fuel warning light and alarm
- Keyless ignition switch
- Strobe light (yellow, clear, red or blue)
- Rear working light
- Rear view mirrors (left and right)
- Mast mounted headlights
- Upswept exhaust system
- 4-way hydraulic control valve
- Accumulator
- O.K. monitor
- Smart alarm
- Cloth suspension seat
- 3-way full suspension seat
- Anti-synching seat belt
- Pre-cleaner for air intake
- Box fin radiator
- Cooling fan booster (standard with 4-way valve)
- Sealed alternator (standard with LPS)
- Fire extinguisher
- Tapered forks
- Fully tapered and polished forks (FTP)
- Various load backrest extension heights
- Various carriage widths
- 3-way catalytic muffler system (LP only)
- Catalytic muffler (except with LPS models)
- Single brake pedal (standard with EZ pedal)
- Dual drive tires (8000, 9000, 10,000 & 11,000 models)
- Front solid tires
- Rear solid tires
- Torque converter oil temp indicator
- High capacity alternator (except LPS models)
- Pencil/tape holder
- Operator compartment light
- Tilt cylinder boots (8000, 9000, 10,000 & 11,000 lb models)

# 8,000 to 11,000 lbs. 3,628 to 4,989 kg. • Specifications

Models		7FGU35	7FDU35	7FGU40	7FDU40	7FGU45	7FDU45	7FGU50	7FDU50	
Load Capacity (with 24-in. load center)		lb	8000 <b>3628</b>		9000 <b>4082</b>		10000 <b>4535</b>		11000 <b>4989</b>	
Body/Frame Construction		Welded steel body & frame								
Steering Type		Hydrostatic power steering								
Brakes		Hydraulic (foot)								
Transmission	Type	Powershift								
	Speed (forward/reverse)	2/2		2/2		2/2		2/2		2/2
Engine	Make/Model	GM 4.3L	13Z	GM 4.3L	13Z	GM 4.3L	13Z	GM 4.3L	13Z	
	Type	6-cyl. OHV gasoline	6-cyl. OHV diesel	6-cyl. OHV gasoline	6-cyl. OHV diesel	6-cyl. OHV gasoline	6-cyl. OHV diesel	6-cyl. OHV gasoline	6-cyl. OHV diesel	
Piston Displacement		cu. in. <b>cm<sup>3</sup></b>	262 <b>4293</b>	281 <b>4604</b>	262 <b>4293</b>	281 <b>4604</b>	262 <b>4293</b>	281 <b>4604</b>	262 <b>4293</b>	281 <b>4604</b>
Rated Horsepower/r.p.m. Net		SAE HP <b>kW</b>	90/2350 <b>68/2350</b>	84/2200 <b>60/2200</b>	90/2350 <b>68/2350</b>	84/2200 <b>60/2200</b>	90/2350 <b>68/2350</b>	84/2200 <b>60/2200</b>	90/2350 <b>68/2350</b>	84/2200 <b>60/2200</b>
Rated Torque/r.p.m. Net		SAE ft.-lb. <b>N-m</b>	209/1200 <b>283/1200</b>	202/1600 <b>273/1600</b>	209/1200 <b>283/1200</b>	202/1600 <b>273/1600</b>	209/1200 <b>283/1200</b>	202/1600 <b>273/1600</b>	209/1200 <b>283/1200</b>	202/1600 <b>273/1600</b>

## EXTERIOR DIMENSIONS

Item	Unit	7FGU35	7FDU35	7FGU40	7FDU40	7FGU45	7FDU45	7FGU50	7FDU50
A Maximum Fork Height (MFH)	in mm	120 <b>3048</b>	120 <b>3048</b>	120 <b>3048</b>	120 <b>3048</b>	120 <b>3048</b>	120 <b>3048</b>	120.5 <b>3060</b>	120.5 <b>3060</b>
B Mast Lowered Height	in mm	83 <b>2108</b>	83 <b>2108</b>	83 <b>2108</b>	83 <b>2108</b>	86.5 <b>2197</b>	86.5 <b>2197</b>	96.5 <b>2451</b>	96.5 <b>2451</b>
C Free Lift	in mm	4.3 <b>109</b>	4.3 <b>109</b>	4.3 <b>109</b>	4.3 <b>109</b>	4.5 <b>114</b>	4.5 <b>114</b>	4.7 <b>119</b>	4.7 <b>119</b>
D Load Distance*	in mm	20.5 <b>520</b>	20.5 <b>520</b>	20.5 <b>520</b>	20.5 <b>520</b>	22.4 <b>569</b>	22.4 <b>569</b>	23 <b>584</b>	23 <b>584</b>
E Wheelbase	in mm	72.4 <b>1839</b>	72.4 <b>1839</b>	72.4 <b>1839</b>	72.4 <b>1839</b>	78.7 <b>1999</b>	78.7 <b>1999</b>	78.7 <b>1999</b>	78.7 <b>1999</b>
F Fork Size (TxWxL)	in mm	2x6x42 <b>51x152x1066</b>	2x6x42 <b>51x152x1066</b>	2x6x42 <b>51x152x1066</b>	2x6x42 <b>51x152x1066</b>	2x6x42 <b>51x152x1066</b>	2x6x42 <b>51x152x1066</b>	2.6x6x48 <b>66x152x1219</b>	2.6x6x48 <b>66x152x1219</b>
G Length to Fork Face	in mm	115 <b>2921</b>	115 <b>2921</b>	117.1 <b>2974</b>	117.1 <b>2974</b>	123 <b>3124</b>	123 <b>3124</b>	125.4 <b>3185</b>	125.4 <b>3185</b>
H Overhead Guard Height	in mm	86.2 <b>2189</b>	86.2 <b>2189</b>	86.2 <b>2189</b>	86.2 <b>2189</b>	90 <b>2286</b>	90 <b>2286</b>	90 <b>2286</b>	90 <b>2286</b>
I Tilt Range (forward/backward)	deg.	6/12	6/12	6/12	6/12	6/12	6/12	6/12	6/12
J Outside Turning Radius	in mm	101.8 <b>2585</b>	101.8 <b>2585</b>	104.3 <b>2649</b>	104.3 <b>2649</b>	108.3 <b>2750</b>	108.3 <b>2750</b>	110.2 <b>2799</b>	110.2 <b>2799</b>
K Basic Right Angle Stacking Aisle Width**	in mm	122.2 <b>3104</b>	122.2 <b>3104</b>	124.8 <b>3170</b>	124.8 <b>3170</b>	130.7 <b>3319</b>	130.7 <b>3319</b>	133.2 <b>3383</b>	133.2 <b>3383</b>
L Overall Width	in mm	53.1 <b>1348</b>	53.1 <b>1348</b>	53.1 <b>1348</b>	53.1 <b>1348</b>	57.1 <b>1450</b>	57.1 <b>1450</b>	57.1 <b>1450</b>	57.1 <b>1450</b>
M Carriage Width	in mm	46.1 <b>1171</b>	46.1 <b>1171</b>	46.1 <b>1171</b>	46.1 <b>1171</b>	45.7 <b>1160</b>	45.7 <b>1160</b>	45.7 <b>1160</b>	45.7 <b>1160</b>
N Tread Width	front/rear Std.	in mm	43.9/43.3 <b>1115/1099</b>	43.9/43.3 <b>1115/1099</b>	43.9/43.3 <b>1115/1099</b>	43.9/43.3 <b>1115/1099</b>	45.3/43.3 <b>1150/1099</b>	45.3/43.3 <b>1150/1099</b>	45.3/43.3 <b>1150/1099</b>

## PERFORMANCE DATA

Item	Unit	7FGU35	7FDU35	7FGU40	7FDU40	7FGU45	7FDU45	7FGU50	7FDU50
Maximum Level Speed	forward—full load	m.p.h. <b>km/h</b>	13.7 <b>22</b>	13.7 <b>22</b>	13.7 <b>22</b>	13.7 <b>22</b>	13.7 <b>22</b>	13.7 <b>22</b>	13.7 <b>22</b>
	reverse—full load	m.p.h. <b>km/h</b>	13.7 <b>22</b>	13.7 <b>22</b>	13.7 <b>22</b>	13.7 <b>22</b>	13.7 <b>22</b>	13.7 <b>22</b>	13.7 <b>22</b>
	forward—no load	m.p.h. <b>km/h</b>	15 <b>24</b>	15 <b>24</b>	15 <b>24</b>	15 <b>24</b>	15 <b>24</b>	15 <b>24</b>	15 <b>24</b>
	reverse—no load	m.p.h. <b>km/h</b>	15 <b>24</b>	15 <b>24</b>	15 <b>24</b>	15 <b>24</b>	15 <b>24</b>	15 <b>24</b>	15 <b>24</b>
Lift Speed (V Mast only)	full load	f.p.m. <b>mm/sec</b>	101 <b>513</b>	101 <b>513</b>	101 <b>513</b>	101 <b>513</b>	87.1 <b>442</b>	95 <b>482</b>	87.1 <b>442</b>
	no load	f.p.m. <b>mm/sec</b>	109 <b>553</b>	109 <b>553</b>	109 <b>553</b>	109 <b>553</b>	95 <b>482</b>	103 <b>523</b>	95 <b>482</b>
Lowering Speed (V Mast only)	full load	f.p.m. <b>mm/sec</b>	99 <b>503</b>	99 <b>503</b>	99 <b>503</b>	99 <b>503</b>	99 <b>503</b>	99 <b>503</b>	99 <b>503</b>
	no load	f.p.m. <b>mm/sec</b>	109 <b>553</b>	109 <b>553</b>	109 <b>553</b>	109 <b>553</b>	99 <b>503</b>	99 <b>503</b>	99 <b>503</b>
Maximum Drawbar Pull	full load	lb. <b>kg</b>	7900 <b>3583</b>	8350 <b>3787</b>	7900 <b>3583</b>	8350 <b>3787</b>	7900 <b>3583</b>	8350 <b>3787</b>	7900 <b>3583</b>
Gradeability	full load	lb. <b>kg</b>	3090 <b>1401</b>	3090 <b>1401</b>	3090 <b>1401</b>	3090 <b>1401</b>	3750 <b>1701</b>	3750 <b>1701</b>	3970 <b>1800</b>
	no load	%tan	42	43	38	39	34	35	31
Gradeability	full load	%tan	22	21	19	19	22	22	22
	no load	%tan	22	21	19	19	22	22	22

## UNDERCLEARANCE

Item	Unit	7FGU35	7FDU35	7FGU40	7FDU40	7FGU45	7FDU45	7FGU50	7FDU50
Minimum with Load	in. mm	4.7 <b>119</b>	4.7 <b>119</b>	4.7 <b>119</b>	4.7 <b>119</b>	4.7 <b>119</b>	4.7 <b>119</b>	4.7 <b>119</b>	4.7 <b>119</b>
Center of Wheelbase	in. mm	7.5 <b>190</b>	7.5 <b>190</b>	7.5 <b>190</b>	7.5 <b>190</b>	8.3 <b>210</b>	8.3 <b>210</b>	8.3 <b>210</b>	8.3 <b>210</b>

## TRUCK WEIGHTS

Item	Unit	7FGU35	7FDU35	7FGU40	7FDU40	7FGU45	7FDU45	7FGU50	7FDU50
Gross Weight (empty)	lb. kg	12460 <b>5652</b>	12740 <b>5779</b>	13320 <b>6042</b>	13610 <b>6173</b>	14580 <b>6613</b>	14930 <b>6772</b>	15950 <b>7235</b>	16300 <b>7394</b>
Weight Distribution	front—full load	lb. kg	18160 <b>8237</b>	18200 <b>8255</b>	19550 <b>8868</b>	19600 <b>8890</b>	21940 <b>9952</b>	22070 <b>10011</b>	24300 <b>11022</b>
	rear—full load	lb. kg	2300 <b>1043</b>	2540 <b>1152</b>	2770 <b>1256</b>	3010 <b>1365</b>	2640 <b>1197</b>	2860 <b>1297</b>	2650 <b>1202</b>
	front—no load	lb. kg	5250 <b>2381</b>	5290 <b>2399</b>	5030 <b>2282</b>	5070 <b>2300</b>	6040 <b>2740</b>	6180 <b>2803</b>	6730 <b>3053</b>
	rear—no load	lb. kg	7210 <b>3270</b>	7450 <b>3379</b>	8290 <b>3760</b>	8540 <b>3874</b>	8540 <b>3874</b>	8750 <b>3969</b>	9220 <b>4182</b>

## CAPACITY

Fuel Tank	US gal. / Imp. gal / litre	7FGU35	7FDU35	7FGU40	7FDU40	7FGU45	7FDU45	7FGU50	7FDU50
		27.7 / 23 / <b>104.7</b>	27.7 / 23 / <b>104.7</b>	27.7 / 23 / <b>104.7</b>	27.7 / 23 / <b>104.7</b>	31.7 / 26.4 / <b>120</b>	31.7 / 26.4 / <b>120</b>	31.7 / 26.4 / <b>120</b>	31.7 / 26.4 / <b>120</b>

## ATTACHMENT

Attachment Operating Hydraulic Pressure	p.s.i. <b>kg/cm<sup>2</sup></b>	7FGU35	7FDU35	7FGU40	7FDU40	7FGU45	7FDU45	7FGU50	7FDU50
		2630 <b>185</b>	2630 <b>185</b>	2630 <b>185</b>	2630 <b>185</b>	2630 <b>185</b>	2630 <b>185</b>	2630 <b>185</b>	2630 <b>185</b>

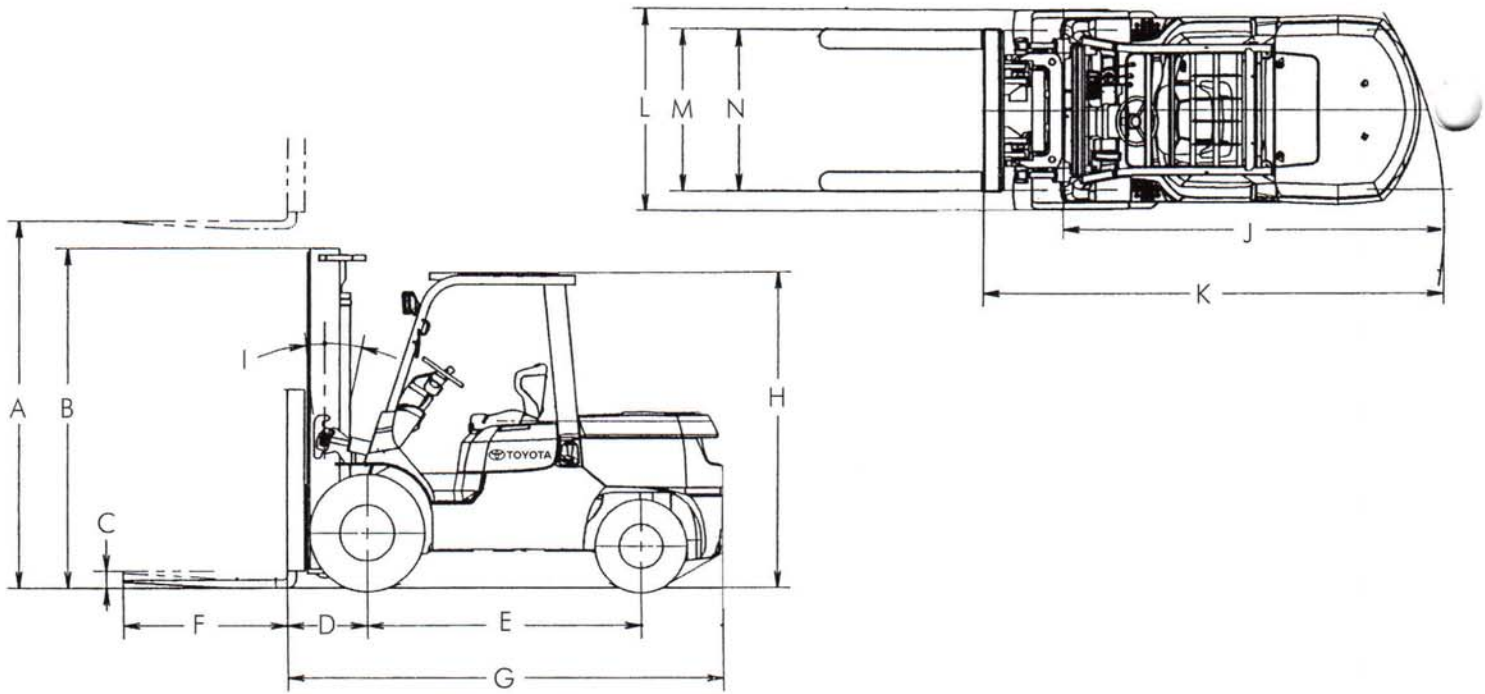
## TIRES

Type (front/rear)		Pneumatic/Pneumatic	Pneumatic/Pneumatic	Pneumatic/Pneumatic	Pneumatic/Pneumatic
Numbers (front/rear)		2/2	2/2	2/2	2/2
Size	Drive	250-15-16PR (I)	250-15-16PR (I)	300-15-18PR (I)	300-15-18PR (I)
	Steer	7.00-12-12PR (I)	7.00-12-12PR (I)	7.00-12-12PR (I)	7.00-12-14PR (I)

\* Centerline of front axle to front face of forks.

\*\* Add load length and clearance.

# 8,000 to 11,000 lbs. 3,628 to 4,989 kg. • Mast Specifications



## 7FGU/7FDU35

Mast Type	Maximum Fork Height	Overall Height				Free Lift		Single Tire		Dual Tire		
		Lowered	Extended		Without Load Backrest	With Standard Load Backrest	Tilt Range		Load Capacity 600 mm/ 24 in. Load Center	Tilt Range		Load Capacity 600 mm/ 24 in. Load Center
			Without Load Backrest	With Standard Load Backrest			FWD	BWD		FWD	BWD	
in. mm	in. mm	in. mm	in. mm	in. mm	in. mm	deg.	deg.	lbs. kg	deg.	deg.	lbs. kg	
V	120 3048	83.1 2111	151.6 3851	168.1 4270	4.3 109	4.3 109	6	12	8000 3629	6	12	8000 3629
	131.5 3340	90.2 2291	163.4 4150	179.9 4569	4.3 109	4.3 109	6	12	8000 3629	6	12	8000 3629
	139.5 3543	94.1 2390	171.3 4351	187.8 4770	4.3 109	4.3 109	6	12	8000 3629	6	12	8000 3629
	147.5 3747	98 2489	179.1 4549	195.7 4971	4.3 109	4.3 109	6	12	8000 3629	6	12	8000 3629
	159 4039	107.9 2741	190.9 4849	207.5 5271	4.3 109	4.3 109	6	12	8000 3629	6	12	8000 3629
	179 4547	117.7 2990	210.6 5349	227.2 5771	4.3 109	4.3 109	6	12	8000 3629	6	12	8000 3629
	198.5 5042	127.6 3241	230.3 5850	246.9 6271	4.3 109	4.3 109	6	6	7800 3538	6	12	7800 3538
	218.5 5550	139.4 3541	250 6350	266.5 6769	4.3 109	4.3 109	6	6	6950 3152	6	12	7400 3356
FV	120 3048	83.1 2111	152.8 3881	168.1 4270	50.4 1280	35 889	6	12	8000 3629	6	12	8000 3629
	131.5 3340	90.2 2291	164.6 4181	179.9 4569	57.5 1461	42.1 1069	6	12	8000 3629	6	12	8000 3629
FSV	159 4039	78.4 1991	192.1 4879	207.5 5271	45.7 1161	30.3 770	6	6	8000 3629	6	6	8000 3629
	171 4343	83.1 2111	203.9 5179	219.3 5570	50.4 1280	35 889	6	6	8000 3629	6	6	8000 3629
	187 4750	90.2 2291	219.7 5580	235 5969	57.5 1461	42.1 1069	6	6	7700 3493	6	6	7700 3493
	198.5 5042	94.1 2390	231.5 5880	246.9 6271	61.4 1560	46.1 1171	6	6	7500 3402	6	6	7500 3402
	218.5 5550	100 2540	251.2 6380	266.5 6769	67.3 1709	52 1321	6	6	6200 2812	6	6	7250 3288
	238 6045	107.9 2741	270.9 6881	286.2 7269	75.2 1910	59.8 1519	6	6	4600 2087	6	6	7050 3197

Note: Height of standard load backrest extension is 48 in. 1220 mm

## 7FGKU/7FDKU40

Mast Type	Maximum Fork Height	Overall Height				Free Lift		Single Tire		Dual Tire		
		Lowered	Extended		Without Load Backrest	With Standard Load Backrest	Tilt Range		Load Capacity 600 mm/ 24 in. Load Center	Tilt Range		Load Capacity 600 mm/ 24 in. Load Center
			Without Load Backrest	With Standard Load Backrest			FWD	BWD		FWD	BWD	
in. mm	in. mm	in. mm	in. mm	in. mm	in. mm	deg.	deg.	lbs. kg	deg.	deg.	lbs. kg	
V	120 3048	83.1 2111	151.6 3851	168.1 4270	4.3 109	4.3 109	6	12	9000 4082	6	12	9000 4082
	131.5 3340	90.2 2291	163.4 4150	179.9 4569	4.3 109	4.3 109	6	12	9000 4082	6	12	9000 4082
	139.5 3543	94.1 2390	171.3 4351	187.8 4770	4.3 109	4.3 109	6	12	9000 4082	6	12	9000 4082
	147.5 3747	98 2489	179.1 4549	195.7 4971	4.3 109	4.3 109	6	12	9000 4082	6	12	9000 4082
	159 4039	107.9 2741	190.9 4849	207.5 5271	4.3 109	4.3 109	6	12	9000 4082	6	12	9000 4082
	179 4547	117.7 2990	210.6 5349	227.2 5771	4.3 109	4.3 109	6	12	9000 4082	6	12	9000 4082
	198.5 5042	127.6 3241	230.3 5850	246.9 6271	4.3 109	4.3 109	6	6	7940 3602	6	12	9000 4082
	218.5 5550	139.4 3541	250 6350	266.5 6769	4.3 109	4.3 109	6	6	6100 2767	6	12	8200 3719
FV	120 3048	83.1 2111	152.8 3881	168.1 4270	50.4 1280	35 889	6	12	9000 4082	6	12	9000 4082
	131.5 3340	90.2 2291	164.6 4181	179.9 4569	57.5 1461	42.1 1069	6	12	9000 4082	6	12	9000 4082
FSV	159 4039	78.4 1991	192.1 4879	207.5 5271	45.7 1161	30.3 770	6	6	9000 4082	6	6	9000 4082
	171 4343	83.1 2111	203.9 5179	219.3 5570	50.4 1280	35 889	6	6	9000 4082	6	6	9000 4082
	187 4750	90.2 2291	219.7 5580	235 5969	57.5 1461	42.1 1069	6	6	8800 3992	6	6	9000 4082
	198.5 5042	94.1 2390	231.5 5880	246.9 6271	61.4 1560	46.1 1171	6	6	7500 3402	6	6	9000 4082
	218.5 5550	100 2540	251.2 6380	266.5 6769	67.3 1709	52 1321	6	6	5730 2599	6	6	9000 4082
	238 6045	107.9 2741	270.9 6881	286.2 7269	75.2 1910	59.8 1519	6	6	4520 2050	6	6	7280 3302

Note: Height of standard load backrest extension is 48 in. 1220 mm

# 8,000 to 11,000 lbs. 3,628 to 4,989 kg. • Mast Specifications

## 7FGU/7FDU45

Mast Type	Maximum Fork Height	Overall Height				Free Lift		Single Tire			Dual Tire		
		Lowered	Extended		Without Load Backrest	With Standard Load Backrest	Tilt Range		Load Capacity 600 mm/ 24 in. Load Center	Tilt Range		Load Capacity 600 mm/ 24 in. Load Center	
			Without Load Backrest	With Standard Load Backrest			FWD	BWD		FWD	BWD		
			in. mm	in. mm			deg.	deg.		deg.	deg.		lbs. kg
V	120 <b>3048</b>	86.6 <b>2200</b>	146.7 <b>3726</b>	168.1 <b>4270</b>	4.3 <b>109</b>	4.3 <b>109</b>	6	12	10000 <b>4536</b>	6	12	10000 <b>4536</b>	
	131.5 <b>3340</b>	92.5 <b>2350</b>	158.5 <b>4026</b>	179.9 <b>4569</b>	4.3 <b>109</b>	4.3 <b>109</b>	6	12	10000 <b>4536</b>	6	12	10000 <b>4536</b>	
	139.5 <b>3543</b>	96.5 <b>2451</b>	166.3 <b>4224</b>	187.8 <b>4770</b>	4.3 <b>109</b>	4.3 <b>109</b>	6	12	10000 <b>4536</b>	6	12	10000 <b>4536</b>	
	147.5 <b>3747</b>	102.4 <b>2601</b>	174.2 <b>4425</b>	195.7 <b>4971</b>	4.3 <b>109</b>	4.3 <b>109</b>	6	12	10000 <b>4536</b>	6	12	10000 <b>4536</b>	
	159 <b>4039</b>	110.2 <b>2799</b>	186 <b>4724</b>	207.5 <b>5271</b>	4.3 <b>109</b>	4.3 <b>109</b>	6	12	10000 <b>4536</b>	6	12	10000 <b>4536</b>	
	179 <b>4547</b>	120.1 <b>3051</b>	205.7 <b>5225</b>	227.2 <b>5771</b>	4.3 <b>109</b>	4.3 <b>109</b>	6	6	10000 <b>4536</b>	6	12	10000 <b>4536</b>	
	198.5 <b>5042</b>	129.9 <b>3299</b>	225.4 <b>5725</b>	246.9 <b>6271</b>	4.3 <b>109</b>	4.3 <b>109</b>	6	6	8850 <b>4014</b>	6	12	9750 <b>4423</b>	
FV	218.5 <b>5550</b>	139.8 <b>3551</b>	245.1 <b>6226</b>	266.5 <b>6769</b>	4.3 <b>109</b>	4.3 <b>109</b>	6	6	6200 <b>2812</b>	6	12	8800 <b>3992</b>	
	120 <b>3048</b>	86.6 <b>2200</b>	147.2 <b>3739</b>	168.1 <b>4270</b>	59.5 <b>1511</b>	38.6 <b>980</b>	6	12	10000 <b>4536</b>	6	12	10000 <b>4536</b>	
FSV	131.5 <b>3340</b>	92.5 <b>2350</b>	159.1 <b>4041</b>	179.9 <b>4569</b>	65.4 <b>1661</b>	44.5 <b>1130</b>	6	12	10000 <b>4536</b>	6	12	10000 <b>4536</b>	
	159 <b>4039</b>	83.5 <b>2121</b>	186.8 <b>4745</b>	207.5 <b>5271</b>	56.3 <b>1430</b>	35.4 <b>899</b>	6	6	10000 <b>4536</b>	6	6	10000 <b>4536</b>	
	171 <b>4343</b>	86.6 <b>2200</b>	198.6 <b>5044</b>	219.3 <b>5570</b>	59.5 <b>1511</b>	38.6 <b>980</b>	6	6	9750 <b>4423</b>	6	6	9750 <b>4423</b>	
	187 <b>4750</b>	92.5 <b>2350</b>	214.4 <b>5446</b>	235 <b>5969</b>	65.4 <b>1661</b>	44.5 <b>1130</b>	6	6	9300 <b>4218</b>	6	6	9700 <b>4400</b>	
	198.5 <b>5042</b>	96.5 <b>2451</b>	226.2 <b>5745</b>	246.9 <b>6271</b>	69.3 <b>1760</b>	48.4 <b>1229</b>	6	6	8800 <b>3992</b>	6	6	9450 <b>4286</b>	
	218.5 <b>5550</b>	102.4 <b>2601</b>	245.9 <b>6246</b>	266.5 <b>6769</b>	75.2 <b>1910</b>	54.3 <b>1379</b>	6	6	6650 <b>3016</b>	6	6	9000 <b>4082</b>	
	238 <b>6045</b>	110.2 <b>2799</b>	265.6 <b>6746</b>	286.2 <b>7269</b>	83.1 <b>2111</b>	62.2 <b>1580</b>	6	6	5150 <b>2336</b>	6	6	8600 <b>3901</b>	

Note: Height of standard load backrest extension is 48 in. 1220 mm

## 7FGUA/7FDUA50

Mast Type	Maximum Fork Height	Overall Height				Free Lift		Single Tire			Dual Tire		
		Lowered	Extended		Without Load Backrest	With Standard Load Backrest	Tilt Range		Load Capacity 600 mm/ 24 in. Load Center	Tilt Range		Load Capacity 600 mm/ 24 in. Load Center	
			Without Load Backrest	With Standard Load Backrest			FWD	BWD		FWD	BWD		
			in. mm	in. mm			deg.	deg.		deg.	deg.		lbs. kg
V	120.5 <b>3061</b>	96.5 <b>2451</b>	153.7 <b>3904</b>	174.6 <b>4435</b>	4.9 <b>124</b>	4.9 <b>124</b>	6	12	11000 <b>4990</b>	6	12	11000 <b>4990</b>	
	132 <b>3353</b>	102.4 <b>2601</b>	165.6 <b>4206</b>	186.4 <b>4735</b>	4.9 <b>124</b>	4.9 <b>124</b>	6	12	11000 <b>4990</b>	6	12	11000 <b>4990</b>	
	140 <b>3556</b>	110.2 <b>2799</b>	173.4 <b>4404</b>	194.3 <b>4935</b>	4.9 <b>124</b>	4.9 <b>124</b>	6	12	11000 <b>4990</b>	6	12	11000 <b>4990</b>	
	148 <b>3759</b>	110.2 <b>2799</b>	181.3 <b>4605</b>	202.2 <b>5136</b>	4.9 <b>124</b>	4.9 <b>124</b>	6	12	11000 <b>4990</b>	6	12	11000 <b>4990</b>	
	159.5 <b>4051</b>	120.1 <b>3051</b>	193.1 <b>4905</b>	214 <b>5436</b>	4.9 <b>124</b>	4.9 <b>124</b>	6	12	11000 <b>4990</b>	6	12	11000 <b>4990</b>	
	179.5 <b>4559</b>	129.9 <b>3299</b>	212.8 <b>5405</b>	233.7 <b>5936</b>	4.9 <b>124</b>	4.9 <b>124</b>	6	6	11000 <b>4990</b>	6	12	11000 <b>4990</b>	
	199 <b>5055</b>	139.8 <b>3551</b>	232.5 <b>5906</b>	253.4 <b>6436</b>	4.9 <b>124</b>	4.9 <b>124</b>	6	6	9000 <b>4082</b>	6	12	10600 <b>4808</b>	
FSV	159.5 <b>4051</b>	89.4 <b>2271</b>	194.3 <b>4935</b>	214 <b>5436</b>	55.1 <b>1400</b>	35.4 <b>899</b>	6	6	10800 <b>4899</b>	6	6	10800 <b>4899</b>	
	171.5 <b>4356</b>	92.5 <b>2350</b>	206.1 <b>5235</b>	225.8 <b>5735</b>	58.3 <b>1481</b>	38.6 <b>980</b>	6	6	10600 <b>4808</b>	6	6	10600 <b>4808</b>	
	187.5 <b>4763</b>	96.5 <b>2451</b>	221.9 <b>5636</b>	241.5 <b>6134</b>	62.2 <b>1580</b>	42.5 <b>1080</b>	6	6	9500 <b>4309</b>	6	6	10200 <b>4627</b>	
	199 <b>5055</b>	102.4 <b>2601</b>	233.7 <b>5936</b>	253.4 <b>6436</b>	68.1 <b>1730</b>	48.4 <b>1229</b>	6	6	9000 <b>4082</b>	6	6	10000 <b>4536</b>	
	219 <b>5563</b>	110.2 <b>2799</b>	253.4 <b>6436</b>	273 <b>6934</b>	76 <b>1930</b>	56.3 <b>1430</b>	6	6	6800 <b>3084</b>	6	6	9500 <b>4309</b>	
	238.5 <b>6058</b>	120.1 <b>3051</b>	273 <b>6934</b>	292.7 <b>7435</b>	85.8 <b>2179</b>	66.1 <b>1679</b>	6	6	5300 <b>2404</b>	6	6	9000 <b>4082</b>	

Note: Height of standard load backrest extension is 54 in. 1371 mm