

4,000 • 5,000 lbs

Yale Veracitor™ GP-VX Series

This series of trucks is available in three configurations to meet and exceed your material handling application requirements. The Veracitor™ Productivity truck delivers maximum performance for medium to heavy-duty applications with state-of-the-art features and industry leading power. The Veracitor™ Value truck provides excellent performance for standard and medium-duty applications and is optimized for lowest hourly cost of operation. The Veracitor™ VX truck offers first-rate performance for standard-duty applications and is geared to minimize your cost of acquisition without compromising performance.

Yale Veracitor™ VX Engines feature a rigid cast iron block and main bearing caps. Nodular iron crankshaft is supported on five main bearings. The camshaft is cast iron. Hydraulic valve lifters are utilized to eliminate the need for manual adjustment. All engines include hardened exhaust valve seats. The GM engine features hardened intake and exhaust valve seats with stellite coated valves for superior durability. All engines are EPA emissions compliant and feature closed loop emissions regulation systems that continually monitor exhaust and adjust fuel/air mix as necessary. The GM engine also features an electronic throttle for precise performance and control.

UL ratings of LP, G, or D are standard in relation to engine option selection.

Fuel System

The Mazda LPG engine uses a single barrel carburetor with an LPG injector and a regulator/vaporizer. The Engine Control Unit controls the LPG injector fueling, and the carburetor and the regulator are not adjustable. The Gasoline engine uses Electronic Gasoline Injection (EGI). This is a port fuel injection system that uses Mass Air Flow sensor input to the ECU to determine fueling requirements. The GM LP and Gas engines use sequential port fuel injection. The GM LP

engines use a vaporizer/regulator to convert the fuel from a liquid to a gas for vapor injection. The Engine Control Unit electronically controls the fuel, air, and spark advance to provide the necessary torque. The engine control unit's inputs include manifold air pressure, manifold air temperature, engine coolant temperature, accelerator pedal position, throttle position, engine speed, cam signal, and oxygen sensor signal. Yanmar Diesel engines use a fuel injection pump, with one fuel metering plunger and distributor mechanism to deliver the fuel to the right cylinder. A rotary distributor ensures that the fuel is sent in the proper order.

Transmission

There are four transmission selections available with multiple engine configurations that will handle a wide variety of material handling applications. All transmissions feature electronic inching (requires no adjustment), electric shift control, neutral start switch, and anti-restart protection. A single pedal controls both inching and braking. Optional dual inch/brake pedals are available for operators who prefer this design. A 10 micron filter protects the transmission from abrasive contaminants.

The Techtronix 100 features Auto Deceleration through the controlled application of clutch packs, and also reduces tire spin by precisely regulating engine speed during controlled power reversals. The Techtronix 200 includes the Techtronix 100 features, and also enables Auto Speed Hydraulics with Automatic Inching Control. This feature automatically increases engine RPM's as hydraulic functions are actuated, while maintaining control over vehicle speed. The throttle response management feature provides travel speed as a direct result of pedal position, improving truck control. The Techtronix 200X includes the Techtronix 200 features and adds two-speed functionality for extended drawbar pull applications.

Cooling System employs a 17" blade pusher-type fan. A permanently lubricated water pump and a high capacity, cross-flow radiator ensure rapid heat dissipation. The sealed cooling system operates at a pressure of 15 psi and includes a coolant recovery tank for visual inspection of coolant level. The transmission oil cooler is integrated into the radiator and is located in the side tank. The optional combi-cooler radiator features an externally mounted transmission oil cooler for increased heat transfer capability. All radiators are soft-mounted for excellent durability.

continued on back

Productivity LP/Gas/Diesel

Engine Specifications

Engine Gas/LP	GM 2.4L
Engine Diesel	Yanmar 3.3L
Cylinders	4
Camshaft	Overhead Valve
Displacement Gas/LP	146.5 cu.in./2.4 liter
Displacement Diesel	202 cu.in./3.3 liter
Torque LP	123 lb.ft. @ 2650 RPM
Torque Gas	124 lb.ft. @ 2650 RPM
Torque Diesel	155 lb.ft. @ 1700 RPM
Horsepower LP	62 hp
Horsepower Gas	63 hp
Horsepower Diesel	65 hp
Air Filtration	Two Stage, Dry Type
Emission Control	Closed loop (LP, Gas)

Value LP/Gas/Diesel

Engine Specifications

Engine Gas/LP	Mazda 2.2L
Engine Diesel	Yanmar 2.6L
Cylinders	4
Camshaft	Overhead Valve
Displacement Gas/LP	134.3 cu.in./2.2 liter
Displacement Diesel	162 cu.in./2.6L
Torque LP	108 lb.ft. @ 1600 RPM
Torque Gas	115 lb.ft. @ 1600 RPM
Torque Diesel	108 lb.ft. @ 1400 RPM
Horsepower LP	51 hp
Horsepower Gas	54 hp
Horsepower Diesel	48 hp
Air Filtration	Two Stage, Dry Type
Emission Control	Closed loop (LP, Gas)

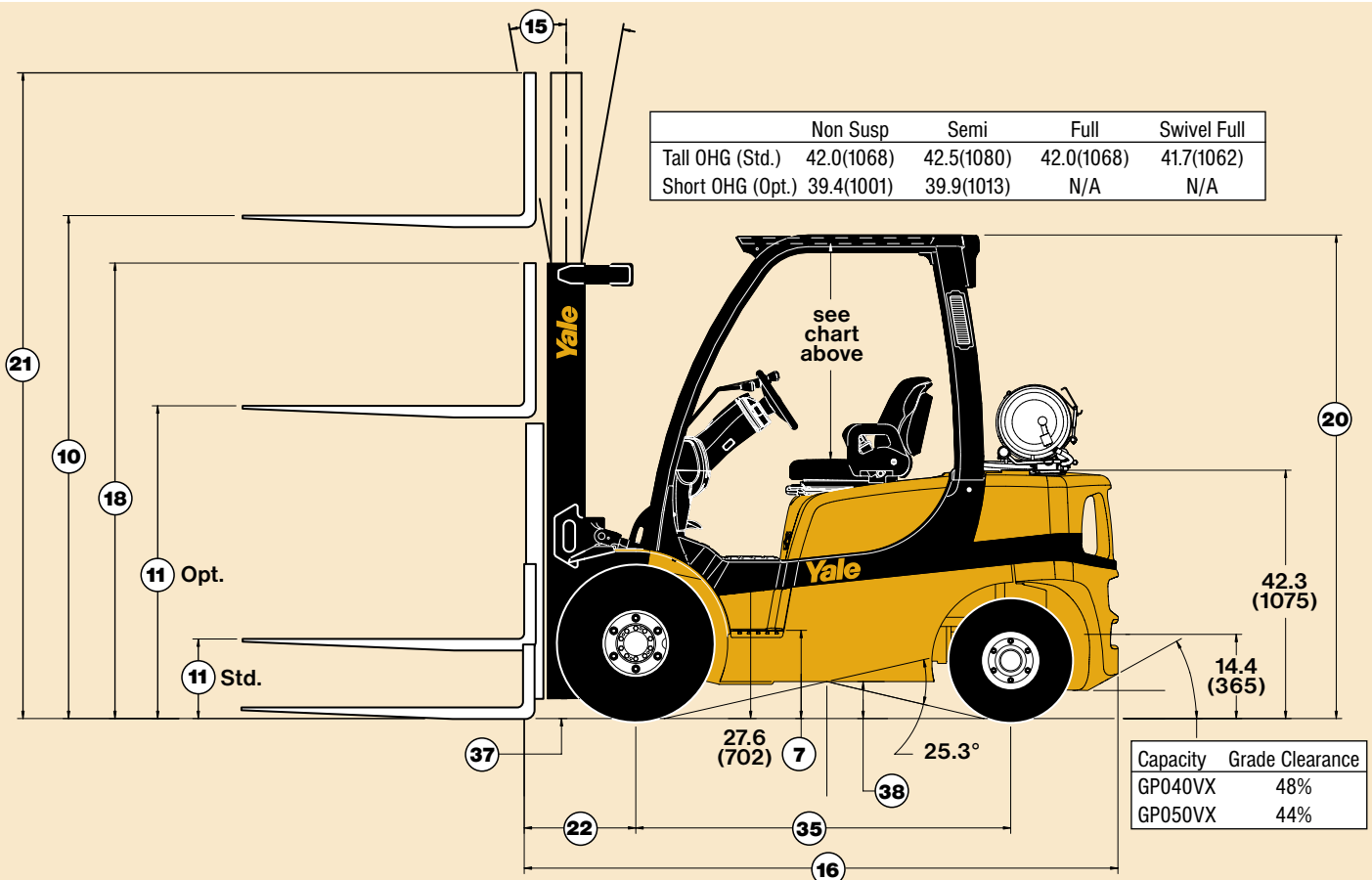
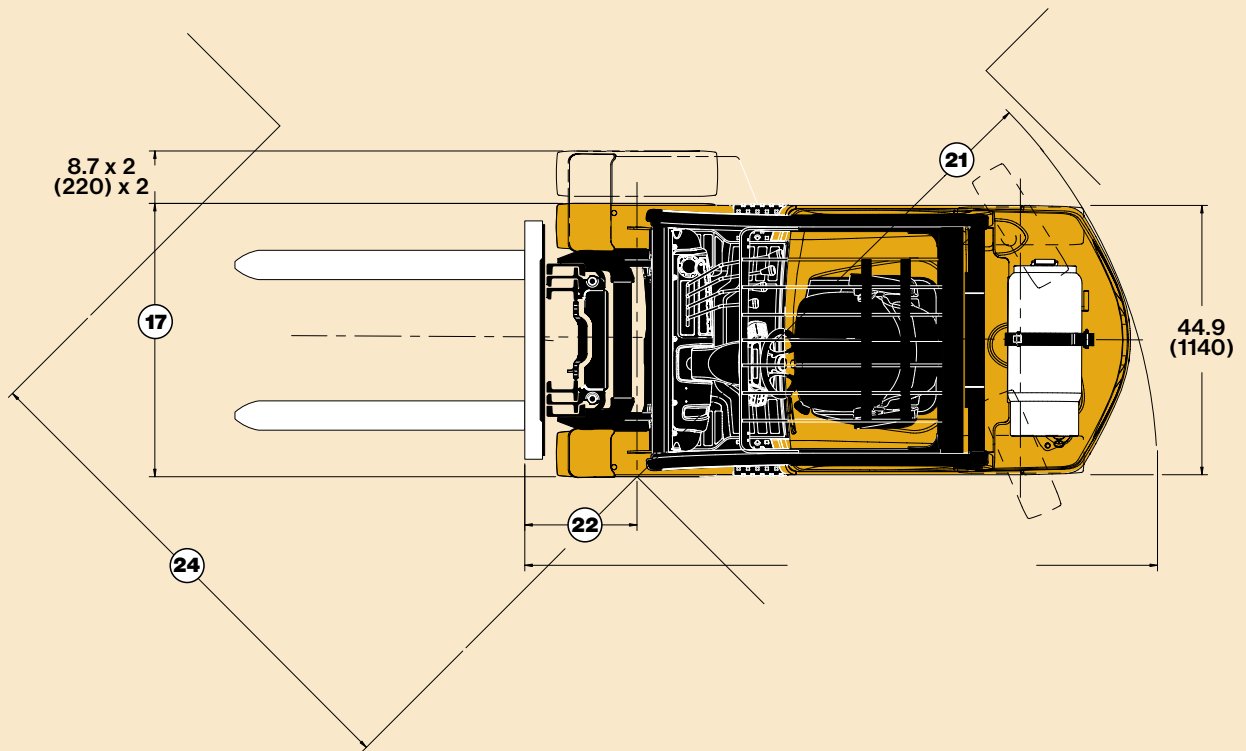
VX LP/Gas/Diesel

Engine Specifications

Engine Gas/LP	Mazda 2.2L
Engine Diesel	Yanmar 2.6L
Cylinders	4
Camshaft	Overhead Valve
Displacement Gas/LP	134.3 cu.in./2.2 liter
Displacement Diesel	162 cu.in./2.6L
Torque LP	108 lb.ft. @ 1600 RPM
Torque Gas	115 lb.ft. @ 1600 RPM
Torque Diesel	108 lb.ft. @ 1400 RPM
Horsepower LP	51 hp
Horsepower Gas	54 hp
Horsepower Diesel	48 hp
Air Filtration	Two Stage, Dry Type
Emission Control	Closed loop (LP, Gas)



Truck shown with optional equipment



GENERAL	1	Manufacturer	Manufacturer Name	
	2	Model	Manufacturer Designation	
			Transmission	
			Engine	
	3	Capacity	Rated Capacity	lb. (kg)
	4	Load Center	Distance	in. (mm)
	5	Power Type	Gasoline, LPG, Diesel	
	6	Operator Type	Pedestrian, Stand-on, Seated Rider	
	7	Step Height		in. (mm)
8	Tire Type	Cushion, Solid, Pneumatic, etc.		
9	Wheels	Number - Front/Rear		
DIMENSIONS	10	Lift Heights with 2-Stage Mast	Lift Height (Top of Fork)	in. (mm)
	11		Standard Free Lift (Top of Fork) with LBR	in. (mm)
			Optional Free Lift w/LBR (Top of Fork)	in. (mm)
	12	Std. Carriage Width	Standard Carriage Width	in. (mm)
	13	Forks	Thickness/Width/Length	in. (mm)
	14	Fork Spread	Outside Dimensions	in. (mm)
	15	Tilt of Mast	Forward/Backward	degrees
	16	Dimensions	Length To Face of Forks	in. (mm)
	17		Overall Width Standard/Wide Tread (mm)	in. (mm)
	18		Height with Standard Mast in Lowered Position	in. (mm)
	19		Standard Mast Extended Height without/with LBR	in. (mm)
	20		Height of Standard Overhead Guard	in. (mm)
			Height of Optional Overhead Guard	in. (mm)
	21	Turning Radius	Minimum Outside (OTR)	in. (mm)
22	Load Distance	Center of Wheel to Face of Forks/Front Overhang	in. (mm)	
23	Aisle Width	Right Angle Stack (Add Length of Load)	in. (mm)	
24	Equal Aisle	90 Degree Intersecting Aisle (W=42in., L=48in.)	in. (mm)	
PERFORMANCE	25	Speeds	Travel Speed - With Load/No Load	mph (km/h)
			Travel Speed (Veracitor 2 Speed Transmission) With load/No Load	mph (km/h)
	26		Lift Speed - With Load/No Load: Std Mast 2 stg LFL	ft./min (m/s)
			Lift Speed - With Load/No Load: Opt 2 Stg FFL Mast	
			Lift Speed - With Load/No Load: Opt 3 FFL Stg Mast	
	27		Lowering Speed - With Load/No Load Std Mast 2 Stg LFL	
		Lowering Speed - With Load/No Load Opt 2 Stg FFL Mast		
		Lowering Speed - With Load/No Load Opt 3 Stg FFL Mast		
	28	Drawbar Pull	With Load/No Load @ 1 mph	lb. (kg)
			With Load/No Load (Veracitor 2 Speed Transmission) @ 1 mph	lb. (kg)
			With Load/No Load @ 3 mph	lb. (kg)
	With Load/No Load (Veracitor 2 Speed Transmission) @ 3 mph		lb. (kg)	
29	Gradeability	With Load/No Load @ 1 mph	%	
		With Load/No Load (Veracitor 2 Speed Transmission) @ 1 mph	%	
		With Load/No Load @ 3 mph	%	
		With Load/No Load (Veracitor 2 Speed Transmission) @ 3 mph	%	
WT.	31	Weight	Std Truck, Unloaded	lb. (kg.)
			Std Truck, Rated Load	lb. (kg.)
	32	Axle Loads	No Load - Front/Rear	lb. (kg.)
			With Load - Front/Rear	lb. (kg.)
WHEELS & TIRES	33	Tire Size	Front	
	34		Rear	
	35	Wheelbase	Distance	in. (mm)
	37	Ground Clearance	No Load at Lowest Point (w/load - 6mm)	in. (mm)
	38		No Load at Center of Wheelbase	in. (mm)
	39	Brakes	Service - Method of Control/Method of Operation	
40	Parking - Method of Control/Method of Operation			
TRANS. & POWER UNIT	41	Battery	Type	
	42		Volts/Cold Cranking Amps	v/cca
	43	ICE Engine	Manufacturer/Model	
	44		Output	hp (ps)
	45		Torque @ Rated RPM	ft Lbs. (kg/m)
	46		Number of Cylinders/Displacement	No. cc (ci)
	47	Transmission	With ICE Drive	Type
			Number of Standard Speeds Fwd-Rev/Optional Speeds Fwd - Rev	Speeds
	48	Fuel Tank	Capacity (Gasoline-Powered Units Only)	gal. (litre)
49	Aux Hydraulic Pressure Relief Setting	Pressure Relief Setting for Auxiliary Attachments	PSI (Mpa)	

Yale		
Veracitor Productivity		
Techtronix 200 & 200X		
GM 2.4L		Yanmar 3.3L
4000 (1815)		4000 (1815)
24 (610)		24 (610)
LP	Gas	Diesel
Seated Rider		Seated Rider
15.0 (382)		15.0 (382)
Pneumatic		Pneumatic
2x/2		2x/2
129 (3292)		129 (3292)
5 (140)		5 (140)
37 (950)		37 (950)
42 (1067)		42 (1067)
1.6 X 3.9 X 42 (40 X 100 X 1067)		1.6 X 3.9 X 42 (40 X 100 X 1067)
34.8 (885)		34.8 (885)
6F/6B		6F/6B
98 (2486)		98 (2486)
45.6/52.6 (1157/1336)		45.6/52.6 (1157/1336)
86 (2170)		86 (2170)
147/123 (3715/3100)		147/123 (3715/3100)
85.0 (2160)		85.0 (2160)
82.4 (2093)		82.4 (2093)
84.6 (2149)		84.6 (2149)
18.5 (471)		18.5 (471)
103.1 (2619)		103.1 (2619)
79.8 (2027)		79.8 (2027)
10.9/11.6		11.3/12.0
11.6/12.2		11.3/12.0
119/121 (.60/.61)		136/139 (.70/.71)
106/108 (.54/.55)		122/124 (.62/.63)
113/115 (.57/.58)		129/132 (.66/.67)
98/83 (.50/.42)		98/83 (.50/.42)
98/83 (.50/.42)		98/83 (.50/.42)
98/83 (.50/.42)		98/83 (.50/.42)
4415/2715 (20.1/12.0)		4427/2715 (19.7/12.0)
4900/2715 (21.8/12.0)		4900/2600 (21.8/11.6)
3000/2715 (13.3/12.0)		3900/2600 (17.3/11.6)
4900/2715 (21.8/12.0)		4500/2600 (20.0/11.6)
37.0/34.2		45.4/34.2
41.0/34.2		42.8/34.2
24.0/34.2		34.0/34.2
30.0/34.2		32.0/34.3
7968 (3622)		7968 (3622)
11968 (5440)		11968 (5440)
4097/3856 (1862/1752)		4097/3856 (1862/1752)
10760/1193 (4891/542)		10760/1193 (4891/542)
7.00 X 12 -12		7.00 X 12 -12
6.00 X 9		6.00 X 9
63.9 (1623)		63.9 (1623)
5.2 (132)		5.2 (132)
6.3 (160)		6.3 (160)
Foot/Hydraulic		Foot/Hydraulic
Hand/Mechanical		Hand/Mechanical
Maintenance Free		Maintenance Free
12/475		12/770
GM		Yanmar
62	63	65
123 (17.0) @ 2650 RPM	124 (17.1) @ 2650 RPM	155 (21.4) @ 1700 RPM
4/2405 (147)		4/3319 (202)
Electronically Controlled Powershift		Electronically Controlled Powershift
1-1/2-1		1-1/2-1
13.9 (52.7)		13.9 (52.7)
2250 (15.5)		2250 (15.5)

Yale		Yale	
Veracitor Value		Veracitor VX	
Technrix 100		Standard Electronic	
Mazda 2.2L	Yanmar 2.6L	Mazda 2.2L	Yanmar 2.6L
4000 (1815)	4000 (1815)	4000 (1815)	4000 (1815)
24 (610)	24 (610)	24 (610)	24 (610)
LP	Gas	LP	Gas
Seated Rider	Seated Rider	Seated Rider	Seated Rider
15.0 (382)	15.0 (382)	15.0 (382)	15.0 (382)
Pneumatic	Pneumatic	Pneumatic	Pneumatic
2x/2	2x/2	2x/2	2x/2
129 (3292)	129 (3292)	129 (3292)	129 (3292)
5 (140)	5 (140)	5 (140)	5 (140)
37 (950)	37 (950)	37 (950)	37 (950)
42 (1067)	42 (1067)	42 (1067)	42 (1067)
1.6 X 3.9 X 42 (40 X 100 X 1067)	1.6 X 3.9 X 42 (40 X 100 X 1067)	1.6 X 3.9 X 42 (40 X 100 X 1067)	1.6 X 3.9 X 42 (40 X 100 X 1067)
34.8 (885)	34.8 (885)	34.8 (885)	34.8 (885)
6F/6B	6F/6B	6F/6B	6F/6B
98 (2486)	98 (2486)	98 (2486)	98 (2486)
45.6/52.6 (1157/1336)	45.6/52.6 (1157/1336)	45.6/52.6 (1157/1336)	45.6/52.6 (1157/1336)
86 (2170)	86 (2170)	86 (2170)	86 (2170)
147/123 (3715/3100)	147/123 (3715/3100)	147/123 (3715/3100)	147/123 (3715/3100)
85.0 (2160)	85.0 (2160)	85.0 (2160)	85.0 (2160)
82.4 (2093)	82.4 (2093)	82.4 (2093)	82.4 (2093)
84.6 (2149)	84.6 (2149)	84.6 (2149)	84.6 (2149)
18.5 (471)	18.5 (471)	18.5 (471)	18.5 (471)
103.1 (2619)	103.1 (2619)	103.1 (2619)	103.1 (2619)
79.8 (2027)	79.8 (2027)	79.8 (2027)	79.8 (2027)
10.6/11.2	10.5/11.2	10.6/11.2	10.5/11.2
N/A	N/A	N/A	N/A
111/113 (.56/.57)	131/134 (.67/.68)	111/113 (.56/.57)	131/134 (.67/.68)
99/101 (.50/.51)	118/120 (.60/.61)	99/101 (.50/.51)	118/120 (.60/.61)
105/107 (.53/.54)	125/127 (.64/.65)	105/107 (.53/.54)	125/127 (.64/.65)
98/83 (.50/.42)	98/83 (.50/.42)	98/83 (.50/.42)	98/83 (.50/.42)
98/83 (.50/.42)	98/83 (.50/.42)	98/83 (.50/.42)	98/83 (.50/.42)
98/83 (.50/.42)	98/83 (.50/.42)	98/83 (.50/.42)	98/83 (.50/.42)
3806/2715 (16.9/12.1)	4057/2715 (18.0/12.1)	3919/2600 (17.4/11.6)	3158/2573 (14.0/11.4)
N/A	N/A	N/A	N/A
2500/2500 (11.2/11.2)	2750/2715 (12.2/12.1)	2650/2600 (11.6/11.6)	1900/2000 (8.45/8.9)
N/A	N/A	N/A	N/A
31.1/34.2	33.4/34.2	33.2/34.2	25.3/34.1
N/A	N/A	N/A	N/A
19.0/29.8	21.0/31.6	21.3/34.2	15.0/24.5
N/A	N/A	N/A	N/A
7968 (3622)	7968 (3622)	7968 (3622)	7968 (3622)
11968 (5440)	11968 (5440)	11968 (5440)	11968 (5440)
4097/3856 (1862/1752)	4097/3856 (1862/1752)	4097/3856 (1862/1752)	4097/3856 (1862/1752)
10760/1193 (4891/542)	10760/1193 (4891/542)	10760/1193 (4891/542)	10760/1193 (4891/542)
7.00 X 12 -12	7.00 X 12 -12	7.00 X 12 -12	7.00 X 12 -12
6.00 X 9	6.00 X 9	6.00 X 9	6.00 X 9
63.9 (1623)	63.9 (1623)	63.9 (1623)	63.9 (1623)
5.2 (132)	5.2 (132)	5.2 (132)	5.2 (132)
6.3 (160)	6.3 (160)	6.3 (160)	6.3 (160)
Foot/Hydraulic	Foot/Hydraulic	Foot/Hydraulic	Foot/Hydraulic
Hand/Mechanical	Hand/Mechanical	Hand/Mechanical	Hand/Mechanical
Maintenance Free	Maintenance Free	Maintenance Free	Maintenance Free
12/475	12/770	12/475	12/770
Mazda F2	Yanmar	Mazda FE	Yanmar
51	54	44	50
108 (14.9) @ 1800 RPM	115 (15.9) @ 1800 RPM	108 (14.9) @ 1400 RPM	91 (12.6) @ 1800 RPM
4/2184 (133)	4/2659 (162)	4/1998 (122)	4/2659 (162)
Electronically Controlled Powershift	Electronically Controlled Powershift	Electronically Controlled Powershift	Electronically Controlled Powershift
1-1	1-1	1-1	1-1
13.9 (52.7)	13.9 (52.7)	13.9 (52.7)	13.9 (52.7)
2250 (15.5)	2250 (15.5)	2250 (15.5)	2250 (15.5)

Yale		
Veracitor Productivity		
Technrix 200 & 200X		
GM 2.4L	Yanmar 3.3L	
5000 (2268)	5000 (2268)	
24 (610)	24 (610)	
LP	Gas	Diesel
Seated Rider	Seated Rider	
15.0 (382)	15.0 (382)	
Pneumatic	Pneumatic	
2x/2	2x/2	
129 (3292)	129 (3292)	
5 (140)	5 (140)	
37 (950)	37 (950)	
42 (1067)	42 (1067)	
1.6 X 3.9 X 42 (40 X 100 X 1067)	1.6 X 3.9 X 42 (40 X 100 X 1067)	
34.8 (885)	34.8 (885)	
6F/6B	6F/6B	
98 (2486)	98 (2486)	
45.6/52.6 (1157/1336)	45.6/52.6 (1157/1336)	
86 (2170)	86 (2170)	
147/123 (3715/3100)	147/123 (3715/3100)	
85.0 (2160)	85.0 (2160)	
82.4 (2093)	82.4 (2093)	
84.6 (2149)	84.6 (2149)	
18.5 (471)	18.5 (471)	
105.7 (2686)	105.7 (2686)	
81.0 (2056)	81.0 (2056)	
11.6/12.3	12.4/13.1	
12.3/13.0	13.0/13.0	
119/121 (.60/.61)	129/131 (.66/.67)	
106/108 (.54/.55)	118/120 (.60/.61)	
113/115 (.57/.58)	123/125 (.62/.63)	
98/83 (.50/.42)	98/83 (.50/.42)	
98/83 (.50/.42)	98/83 (.50/.42)	
98/83 (.50/.42)	98/83 (.50/.42)	
4277/2573 (19.0/11.5)	4298/2573 (19.1/11.5)	5129/2573 (22.8/11.4)
N/A	N/A	
4900/2573 (21.8/11.5)	4900/2573 (21.8/11.4)	
2900/2573 (12.9/11.5)	3000/2573 (13.3/11.5)	3700/3700 (16.5/16.5)
3550/2573 (15.8/11.5)	3550/2573 (15.8/11.5)	4700/4400 (20.9/19.6)
30.5/29.3	30.6/29.3	35.1/29.3
35.4/29.3	35.4/29.3	
21.0/29.3	26.0/29.3	
25.0/29.3	33.8/29.3	
8730 (3969)	8730 (3969)	
13730 (6241)	13730 (6241)	
3943/4755 (1792/2161)	3943/4755 (1792/2161)	
12271/1427 (5778/649)	12271/1427 (5778/649)	
7.00 X 12 -12	7.00 X 12 -12	
6.00 X 9	6.00 X 9	
63.9 (1623)	63.9 (1623)	
5.2 (132)	5.2 (132)	
6.3 (160)	6.3 (160)	
Foot/Hydraulic	Foot/Hydraulic	
Hand/Mechanical	Hand/Mechanical	
Maintenance Free	Maintenance Free	
12/475	12/770	
GM	Yanmar	
62	63	65
123 (17.0) @ 2650 RPM	124 (17.1) @ 2650 RPM	155 (21.4) @ 1700 RPM
4/2405 (147)	4/3319 (202)	
Electronically Controlled Powershift	Electronically Controlled Powershift	
1-1/2-1	1-1/2-1	
13.9 (52.7)	13.9 (52.7)	
2250 (15.5)	2250 (15.5)	

Yale				1	GENERAL			
Veracitor Value				2				
Techtronix 100								
Mazda 2.2L		Yanmar 2.6L		Mazda 2.2L		Yanmar 2.6L		3
5000 (2268)		5000 (2268)		5000 (2268)		5000 (2268)		4
24 (610)		24 (610)		24 (610)		24 (610)		5
LP	Gas	Diesel		LP	Gas	Diesel		6
Seated Rider		Seated Rider		Seated Rider		Seated Rider		7
15.0 (382)		15.0 (382)		15.0 (382)		15.0 (382)		8
Pneumatic		Pneumatic		Pneumatic		Pneumatic		9
2x/2		2x/2		2x/2		2x/2		10
129 (3292)		129 (3292)		129 (3292)		129 (3292)		11
5 (140)		5 (140)		5 (140)		5 (140)		12
37 (950)		37 (950)		37 (950)		37 (950)		13
42 (1067)		42 (1067)		42 (1067)		42 (1067)		14
1.6 X 3.9 X 42 (40 X 100 X 1067)		1.6 X 3.9 X 42 (40 X 100 X 1067)		1.6 X 3.9 X 42 (40 X 100 X 1067)		1.6 X 3.9 X 42 (40 X 100 X 1067)		15
34.8 (885)		34.8 (885)		34.8 (885)		34.8 (885)		16
6F/6B		6F/6B		6F/6B		6F/6B		17
100.7 (2559)		100.7 (2559)		100.7 (2559)		100.7 (2559)		18
45.6/52.6 (1157/1336)		45.6/52.6 (1157/1336)		45.6/52.6 (1157/1336)		45.6/52.6 (1157/1336)		19
86 (2170)		86 (2170)		86 (2170)		86 (2170)		20
147/123 (3715/3100)		147/123 (3715/3100)		147/123 (3715/3100)		147/123 (3715/3100)		21
85.0 (2160)		85.0 (2160)		85.0 (2160)		85.0 (2160)		22
82.4 (2093)		82.4 (2093)		82.4 (2093)		82.4 (2093)		23
84.6 (2149)		84.6 (2149)		84.6 (2149)		84.6 (2149)		24
18.5 (471)		18.5 (471)		18.5 (471)		18.5 (471)		25
105.7 (2686)		105.7 (2686)		105.7 (2686)		105.7 (2686)		26
81.0 (2056)		81.0 (2056)		81.0 (2056)		81.0 (2056)		27
11.2/11.9		11.3/11.9		11.2/11.9		11.3/11.9		28
N/A		N/A		N/A		N/A		29
111/113 (.56/.57)		131/134 (.67/.68)		111/113 (.56/.57)		131/134 (.67/.68)		30
99/101 (.50/.51)		118/120 (.60/.61)		99/101 (.50/.51)		118/120 (.60/.61)		31
105/107 (.53/.54)		125/127 (.64/.65)		105/107 (.53/.54)		125/127 (.64/.65)		32
98/83 (.50/.42)		98/83 (.50/.42)		98/83 (.50/.42)		98/83 (.50/.42)		33
98/83 (.50/.42)		98/83 (.50/.42)		98/83 (.50/.42)		98/83 (.50/.42)		34
98/83 (.50/.42)		98/83 (.50/.42)		98/83 (.50/.42)		98/83 (.50/.42)		35
3835/2573 (17.1/11.4)		4058/2573 (18.1/11.4)		3696/2573 (16.4/11.4)		3158/2573 (14.0/11.4)		36
N/A		N/A		N/A		N/A		37
2400/2500 (10.7/11.1)		2550/2600 (11.3/11.6)		2650/2500 (11.8/11.1)		1900/2000 (8.45/8.9)		38
N/A		N/A		N/A		2300/2400 (10.2/10.7)		39
271/29.3		28.8/29.3		26.2/29.3		22.0/29.3		40
N/A		N/A		N/A		26.4/29.3		41
17.5/29.0		19.0/30.0		21.0/29.3		13.0/22.0		42
N/A		N/A		N/A		16/27.1		43
8730 (3969)		8730 (3969)		8730 (3969)		8730 (3969)		44
13730 (6241)		13730 (6241)		13730 (6241)		13730 (6241)		45
3943/4755 (1792/2161)		3943/4755 (1792/2161)		3943/4755 (1792/2161)		3943/4755 (1792/2161)		46
12271/1427 (5778/649)		12271/1427 (5778/649)		12271/1427 (5778/649)		12271/1427 (5778/649)		47
7.00 X 12 -12		7.00 X 12 -12		7.00 X 12 -12		7.00 X 12 -12		48
6.00 X 9		6.00 X 9		6.00 X 9		6.00 X 9		49
63.9 (1623)		63.9 (1623)		63.9 (1623)		63.9 (1623)		50
5.2 (132)		5.2 (132)		5.2 (132)		5.2 (132)		51
6.3 (160)		6.3 (160)		6.3 (160)		6.3 (160)		52
Foot/Hydraulic		Foot/Hydraulic		Foot/Hydraulic		Foot/Hydraulic		53
Hand/Mechanical		Hand/Mechanical		Hand/Mechanical		Hand/Mechanical		54
Maintenance Free		Maintenance Free		Maintenance Free		Maintenance Free		55
12/475		12/550		12/475		12/550		56
Mazda F2		Yanmar		Mazda F2		Yanmar		57
51	54	48		51	54	48		58
108 (14.9) @ 1800 RPM	115 (15.9) @ 1800 RPM	108 (14.9) @ 1400 RPM		91 (12.6) @ 1800 RPM	104 (14.4) @ 1800 RPM	108 (14.9) @ 1400 RPM		59
4/2184 (133)		4/2659 (162)		4/1998 (122)		4/2659 (162)		60
Electronically Controlled Powershift		Electronically Controlled Powershift		Electronically Controlled Powershift		Electronically Controlled Powershift		61
1-1		1-1		1-1		1-1		62
13.9 (52.7)		13.9 (52.7)		13.9 (52.7)		13.9 (52.7)		63
2250 (15.5)		2250 (15.5)		2250 (15.5)		2250 (15.5)		64

GENERAL

DIMENSIONS

PERFORMANCE

WT.

WHEELS & TIRES

TRANS. & POWER UNIT

Drive Axle

The drive axles are designed to withstand heavy-duty loads and absorb shock loads. The wheel hubs rotate on large tapered roller bearings. The drive shaft transmits torsion to the drive axle from the engine and transmission. Transmission torque occurs through an industrial hypoid ring gear and pinion differential assembly.

The drive axle is a "self contained" assembly that is isolated from the transmission by a heavy-duty rubber isolator. The axle shafts utilize a "rolled fillet" root spline design for increased resistance to torsion stress. A magnetic sump plug is used to collect any metal particles that are circulating in the axle oil, preventing excessive component wear.

Brakes are hydraulic, duo-servo, self-energizing, and use automatic adjusting drum brake assemblies. Asbestos-free brake linings are bonded to steel shoes and act against cast iron drums. Single circuit master cylinder has a sealed fluid reservoir and features a fluid level sensor which activates an indicator light located on the instrument panel. Independent, hand adjustable parking brake with push-button locking has audible alarm.

Hydrostatic Power Steering provides responsive control and eliminates mechanical linkages for reduced surface shock and simplified maintenance. The steering wheel is 12 inches in diameter with a textured surface grip and spinner knob, and requires only four turns lock-to-lock. The center mounted steer cylinder is located within the confines of the steer axle for protection.

Steer Axle is constructed of cast steel and is rubber shock mounted to the frame for reduced wear and vibration. The CSE (Continuous Stability Enhancement) system enhances lateral truck stability through reduced steer axle articulation, while simultaneously allowing uncompromised uneven surface travel.

Chassis designed by state-of-the-art finite element methods contains a rugged,

unitized frame structure with a low step for simple entrance to the operator's compartment. Ergonomically designed overhead guard is bar type for excellent visibility and reduced noise.

Operator's Compartment features cowl mounted hydraulic control levers positioned on the right side of the steering column. Optional Accutouch or Palmtech electro-hydraulic controls are integrated into the operator's right-side armrest allowing superior ergonomic actuation. Automotive-style pedal arrangement with a large, single inch/brake pedal is standard. Tilt cylinders are located beneath the floor for uncluttered space. Rubber floor mat reduces noise and vibration. Floorplate can be removed without tools for excellent service access. Low step height and a convenient hand grip provide easy entry and exit to and from the truck.

Intellix VSM acts as a master truck controller, providing extensive monitoring and control of truck functions and systems. CANbus technology reduces wiring complexity and enables comprehensive communications between truck systems. The ergonomically positioned dash display transmits continual feedback to the operator and allows for communication of service codes. Comprehensive on-board diagnostics enable quick and easy troubleshooting. The electrical system features sealed connectors and Hall Effect sensors for superior dependability.

Hydraulic System incorporates a gear type pump, cast iron body for quiet efficiency. The system is protected from overloads by a main relief valve for the lift circuit and a secondary relief valve for tilt and auxiliary functions. Oil is double filtered through a 100 mesh suction line strainer and 10 micron return line filter. The hydraulic tank is integrated into the frame. For Accutouch or Palmtech joystick electro-hydraulic controls, an emergency lowering valve is provided to allow the load to be lowered in the event of power loss. O-ring face seal fittings are used in all high pressure hydraulic connections.

Yale Global Hi-Vis™ Masts are available in 2 Stage LFL, 2 Stage FFL, and 3 Stage FFL models. Mast features flush-faced design with geometrically matched, angled load roller bearings which are canted, yet provide full-face roller contact. The mast front rail flange angle coupled with the inverted "J" inner channel and three degree mast rollers significantly reduce channel and roller wear. "J-hook" mast mounting system allows for convenient mast installation and removal. A non-metallic phenolic mast pivot bushing with woven reinforcement offers high load carrying capability with outstanding durability.

Options

- Powertrain protection with engine shutdown system
- Premium monitoring package
- High air intake with precleaner
- Accumulator
- Keyless start (w/auxiliary key switch)
- LED brake and back-up lights
- Headlights and rear drive lights
- Traction speed limiter
- Heavy-duty "Combi Cooler" radiator
- Swing-out, drop-down EZ-Tank Bracket
- Accutouch minilever electro-hydraulic control
- Palmtech joystick electro-hydraulic control
- Return-to-set tilt
- Rear drive handle with horn button
- Swivel full suspension seat
- Foot Directional Control pedal
- Quick disconnect with extension tubes
- 10° forward/6° backward tilt
- Operator password
- Mirrors – dual side view
- Alarm-Reverse Actuated 82-102 dB(A) – Self-Adjusting
- Amber Strobe Light - Continuous Activated
- Paper Applications Kit
- Operator pre-shift checklist
- Oil Cooled Wet Disc Brakes
- Pneumatic shaped solid tires
- Michelin XZM radial tires
- Dual drive tires
- Cab
- Dual pedal inch/brake
- Vented hood
- Overhead exhaust
- UL options of GS, D, DS, LP, LPS

Standard Lift Specifications						Approx. Truck Wt.	
Model	O.A.H. in (mm)	Free Fork Height w/o LBR in (mm)	Max Fork Height in (mm)	Extended Height w/LBR in (mm)	Tilt Rwd/Fwd	GP40VX Lbs (Kg)	GP50VX Lbs (Kg)
2 Stage LFL	86 (2170)	5 (140)	129 (3292)	147 (3715)	6°/6°	7816 (3553)	8561 (3891)
2 Stage FFL	86 (2170)	61 (1565)	130 (3302)	179 (4525)	6°/6°	7860 (3573)	8605 (3911)
3 Stage FFL	78 (1970)	54 (1390)	171 (4350)	220 (5570)	6°/6°	8102 (3683)	8847 (4021)
	84 (2120)	60 (1540)	189 (4800)	238 (6020)	6°/6°	8179 (3718)	8924 (4056)
	86 (2170)	62 (1590)	194 (4950)	243 (6170)	6°/6°	8201 (3728)	8946 (4066)
	90 (2270)	66 (1690)	200 (5100)	249 (6320)	6°/6°	8245 (3748)	8990 (4086)
	96 (2420)	72 (1840)	218 (5550)	267 (6770)	6°/6°	8333 (3788)	9078 (4126)

Note: GP40VX & GP50VX have standard 7.00 x 12 x 14 drive tires @ 45.6 inch (1157mm) overall width.

Truck performance may be affected by the condition of the vehicle, how it is equipped and the application. Consult your Yale Industrial Truck Dealer if any of the information shown is critical to your application. Specifications are subject to change without notice.

This truck meets all design specifications of ANSI B56.1 Safety Standard for Powered Industrial Trucks at the time of manufacture. Classified by Underwriters' Laboratories, Inc. as to fire hazard only.

The Yale products included in this document may be covered by US patent 6,684,148 and other patents pending.

Yale, the Yale Logo, Veracitor™ VX and Yale Global Hi Vis™ Mast are trademarks or registered trademarks of Yale Materials Handling Corporation in the United States and other countries.



Yale Materials Handling Corporation
P.O. Box 7367, Greenville, North Carolina 27835-7367

2219-2 7/08

Copyright 2008
Yale Materials Handling Corporation
Printed in U.S.A.

Manufactured in our own ISO 9001 and 14001 Registered Facilities