

ELECTRIC POWERED CUSHION TIRE TRUCKS

Yale® ERC-VG electric trucks are available in 4,500 - 7000 pound capacities designed for demanding applications that require clean, quiet-running, heavy-duty capability. These trucks are extremely maneuverable and offer plenty of power and high stacking ability, while also offering excellent ergonomics, reliability and maintenance ease.

AC TRANSISTOR TRACTION CONTROL

AC technology offers smooth acceleration and directional changes, proportional regenerative braking and the Auto Deceleration System. The controller converts battery power to three phase AC power, and adjusts frequency and current to meet performance demands. Performance control settings and extensive diagnostics are accessible by technicians through the dash display or a PC. A Vehicle Systems Manager utilizing CANbus technology monitors and controls key truck components and systems. The advanced thermal management system monitors component temperature and gradually adjusts performance to prevent damage to key components.

CONTROLLER AREA NETWORK (CANBUS)

CANbus technology streamlines communications between truck systems through one main master controller, the Vehicle System Manager (VSM). Dash display, traction controller and pump controller are all controlled via the CANbus network. A connection point is provided for interface with a service PC.

Intellix VSM acts as a master truck controller, providing extensive monitoring and control of truck functions and systems. CANbus technology reduces wiring complexity and enables comprehensive communications between truck systems. The ergonomically positioned dash display transmits continual feedback to the operator and allows for communication of service codes.



ELECTRICAL SYSTEM

The ERC-VG utilizes AC motor technology designed for exceptional performance. It uses a brushless induction motor for high starting torque and smooth rapid acceleration. A speed sensor built into the motor provides feedback to the control system, allowing motor speed and direction to be continuously monitored.

POWER ASSISTED BRAKING

Power Assisted Braking is accomplished via the VSM. The VSM monitors brake line pressure. When this pressure exceeds a set threshold the VSM sends a signal to the traction controller to decelerate the traction motor proportionally to the brake pressure. The higher the brake pedal pressure being applied, the more quickly the truck will decelerate. Duo-servo hydraulic brakes are self-adjusting and self-energizing for reduced pedal effort. The master cylinder is sealed and has an external fluid level sensor connected to a warning light on the instrument module. A foot applied/hand-released parking brake is manually adjustable and has an audible warning if the operator leaves the truck without applying the brake. The standard Auto Deceleration System automatically slows the truck when the operator's foot is removed from the accelerator pedal, extending brake life.

VOLTAGE

36, 48, and 80 volt systems are available in multiple battery compartment sizes to meet a variety of application requirements. A solid-state, return-to-neutral feature reduces the possibility of inadvertent truck movement. The truck will not start forward or rearward until the accelerator pedal has been released.

OPERATOR INTERFACE DISPLAY

The repositioned display is conveniently located in the upper right area of the operator's compartment. The display includes an hour meter, LCD display for status codes and descriptions, battery discharge indicator with lift interrupt, warning lights for brake fluid, seat belt indicator, performance mode indicator, and parking brake indicator. The display also permits access for service technicians to adjust performance control settings, allowing the truck to be customized to meet customer applications. Additionally, extensive diagnostics allow service technicians to quickly troubleshoot problems. Operator selectable performance modes are standard. Options for operator passwords and a pre-shift operator checklist are also available.

FOOT DIRECTIONAL CONTROL PEDAL (FDC) (OPTIONAL)

The foot directional control pedal is a highly productive directional/accelerator pedal. One pedal allows the operator to change direction

and acceleration reducing operator movement and resulting in increased productivity.

HYDRAULIC COMPONENTS

An transistor control hydraulic system is powered by a brushless, AC induction motor with a flexible coupling that joins the motor to the pump for long drive life and low noise. The motor and pump are mounted on rubber isolators for reduced noise and vibration. A combination of flexible wire-braid hoses and steel tubing is used to simplify the hydraulic plumbing. These hydraulic lines are carefully routed and held in place to reduce possible damage. A 10-Micron full flow hydraulic filter located in the return line protects the hydraulic system from contaminants and helps provide long life. A by-pass relief valve permits oil flow in the event of the filter clogging.

HYDROSTATIC POWER STEERING

Hydrostatic power steering is standard and the all-hydraulic design gives precise, reliable control while eliminating mechanical linkages and road shocks at the steering wheel. An infinitely adjustable tilt steering column provides excellent operator comfort and visibility.

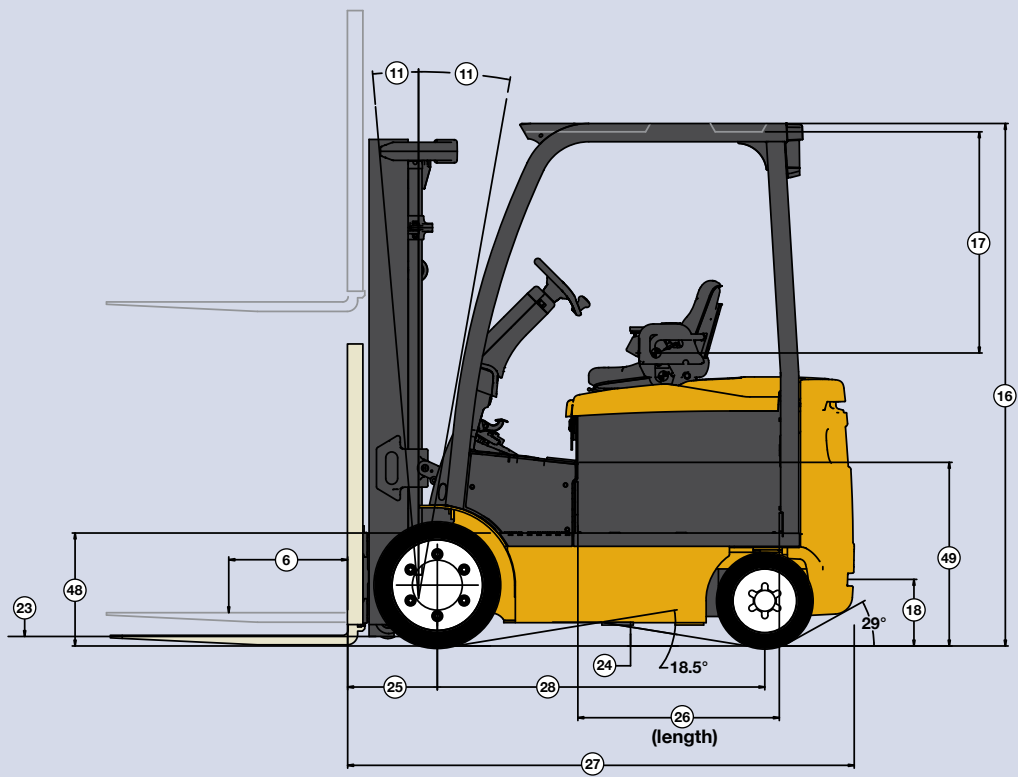
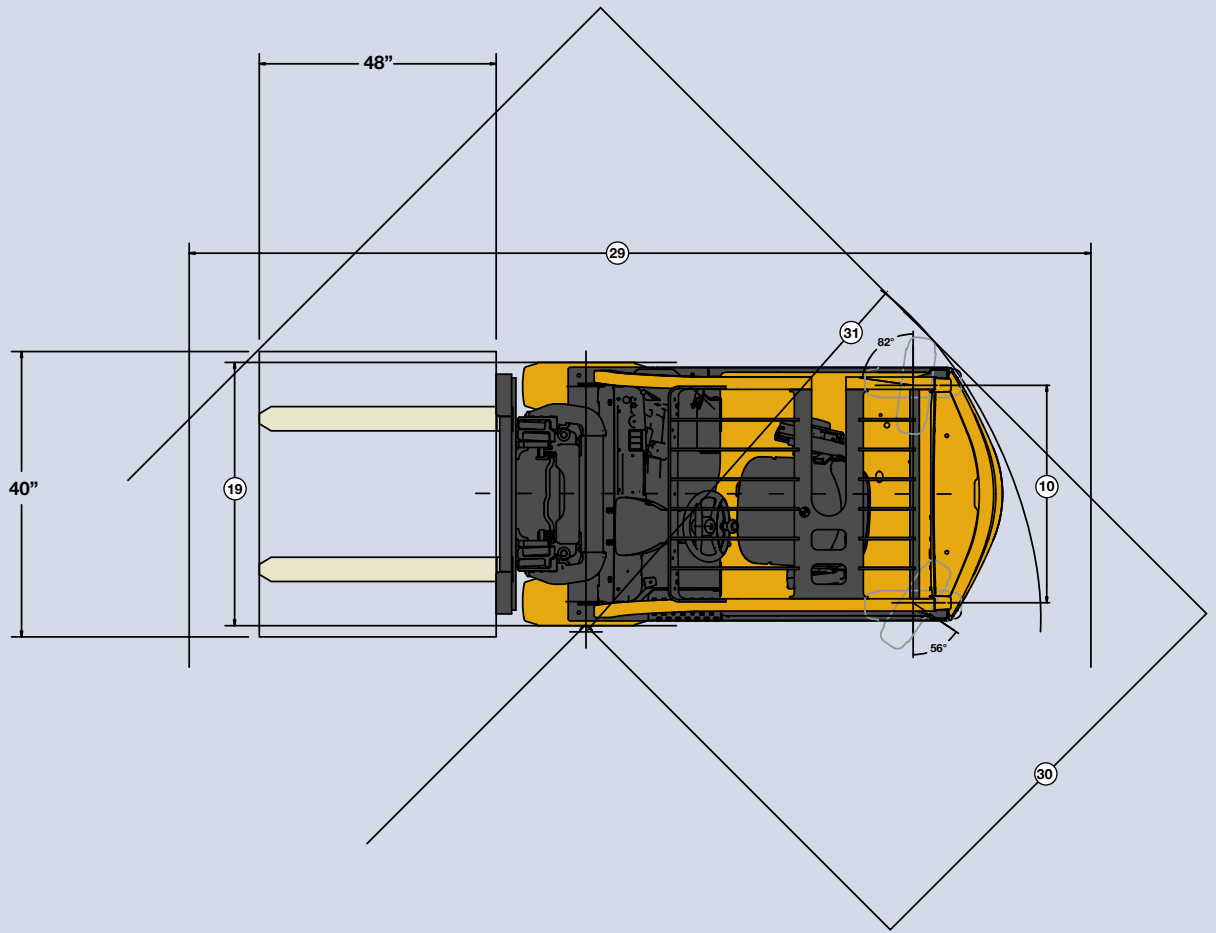
STEERING AXLE

The steering axle is a one-piece ductile iron casting mounted on elastic cushions that reduce shock and provide a softer ride. The Continuous Stability Enhancement system enhances truck stability in a simple, maintenance free design, without compromising uneven surface travel.

MASTS\CARRIAGE\FORKS\LOAD BACKREST EXTENSION

Yale® Global Hi-Vis™ simplex, duplex and triplex masts provide excellent visibility. The mast features flush face design with geometrically matched, angled load rollers, which are canted, yet provide full-face roller contact. A single free lift chain provides increased visibility. The mast front rail flange angle coupled with the inverted "J" inner channel and three degree mast rollers significantly reduces channel web milling and roller wear. Top accessible, "J-hook" mast mounting system allows convenient mast installation and removal. The J-hook mounting is standardized to allow direct mast interchangeability on a variety of Yale truck models without modification. Bronze steel backed bushings reduce mounting wear. Class II six-roller carriages are standard. Forks are "upset forged" from a single piece of high-strength steel give added strength and thickness for wear. A 48" load backrest extension is standard.

(continued on back)



GENERAL	1	Manufacturer		Yale®				
	2	Model Designation		ERC045VG				
	3	Power		Electric				
	4	Operation		Sit				
TIRES	5	Rated Capacity		lb. (kg)	4500 (2041)			
	6	Load Center		in. (mm)	24 (610)			
	7	Tire Type		front/rear	Cushion/Cushion			
	8	Tire Size (Drive/Steer)		in.	21 x 7 x 15 /16 x 5 x 10.5			
DIMENSIONS	9	Number (x=Driven)		front/rear	2X/2			
	10	Tread	Ctr. of Tires	Std Dr/Wide Dr/Steer	in. (mm)	35.1/41.9/37 (892/1064/940)		
	11	Mast Tilt	Std Opt Opt		degrees	5F/5B 10F/5B (5F/4B)		
	12	Mast - Lowered Height	Std Mast		in. (mm)	83 (2085)		
	13	Free Lift - Top of Fork	Std 2 Stg Limited Free Lift Mast		in. (mm)	5 (140)		
			Opt 2 Stg Full Free Lift Mast with/without LBR		in. (mm)	33/60 (860/1525)		
	14	Lift Height - Top of Fork	Std 2 Stg Limited Free Lift Mast		in. (mm)	125 (3192)		
	15	Mast - Extended Ht	Std Mast with/without LBR		in. (mm)	174/148 (4415/3740)		
	16	Overhead Guard Ht	Std/Drive in Rack/Opt/Opt Flat Plate		in. (mm)	88.5/88.5/86.5/84.1 (2248/2248/2197/2137)		
	17	SIP to Bottom Std OHG	Seat Depressed	Std/Susp/Swivel	in. (mm)	38.5/39/38.8 (978/993/988)		
	18	Tow Pin Height	Vertical Center of Pin		in. (mm)	11 (280)		
	19	Overall Width	Standard Tread/Wide Tread		in. (mm)	42.1/48.9 (1070/1242)		
	20	Forks	Thickness x Width x Length		in. (mm)	1.6 x 3.9 x 42 (40 x 100 x 1067)		
	21	Std Carriage Width	Class II		in. (mm)	38.5 (977)		
	22	Floor to Top of Battery Rollers			in. (mm)	17 (432)		
	23	Ground Clearance	Lowest Point (NL/RL)		in. (mm)	3.6/3.3 (91/85)		
	24	Ground Clearance	Center of Truck (NL/RL)		in. (mm)	3.9/3.6 (98/92)		
	25	Load Distance	Center of Wheel to Face of Forks		in. (mm)	14.8 (377)		
	26	Battery Compartment	Height	without/with Batt. Rollers	in. (mm)	23.9/23.5 (607 /597)		
			Width		in. (mm)	39.1 (992)		
		Nominal		SIZE	27"	30"	33"	
		Length	Actual	in. (mm)	27.6 (700)	30.9 (786)	33.3 (847)	
27	Length to Face of Forks	Chassis Length		in. (mm)	78.9 (2003)	81.5 (2069)	83.8 (2130)	
28	Wheelbase			in. (mm)	48.4 (1230)	51.8 (1316)	54.2 (1377)	
29	Right Angle Stack			in. (mm)	131.1 (3331)	134.7 (3421)	137 (3480)	
30	Equal Aisle	90° Intersecting Aisle		in. (mm)	71.5 (1816)	72.2 (1835)	73 (1854)	
31	Outside Turning Radius			in. (mm)	68.3 (1735)	71.9 (1825)	74.2 (1884)	
WT.	32	Truck Weight	Without Battery (NL)	lb. (kg)	6860 (3112)	6490 (2944)	6520 (2957)	
	33	Axle Loading - Drive	Static with Max. Wt. Battery (NL/RL)	lb. (kg)	4330/12434 (1964/5640)	4575/12445 (2075/5645)	4771/12491 (2164/5666)	
	34	Axle Loading - Steer	Static with Max. Wt. Battery (NL/RL)	lb. (kg)	5867/2262 (2661/1026)	5456/2086 (2475/946)	5666/2469 (2582/1120)	
PERFORMANCE					Standard Performance		Premium Performance Package	
				VOLTS	36	48	48	80
	36	Travel Speed	Extended Shift OFF (NL/RL)	mph (km/h)	10.9/9.9 (17.6/15.9)	11.3/11.3 (18.2/18.2)	12.3/12.8 (19.8/20.6)	12.3/12.5 (19.8/20.1)
			Extended Shift ON (NL/RL)	mph (km/h)	9.8/8.8 (15.8/14.2)	10.7/9.9 (17.2/15.9)	12.2/12.4 (19.7/19.9)	12.2/12.3 (19.7/19.8)
	37	Lift Speed	Std 2 Stg LFL Mast (NL/RL)	ft/min (m/sec)	100/59 (0.51/0.3)	124/79 (0.63/0.4)	142/102 (0.72/0.52)	142/102 (0.72/0.52)
			Opt 2 Stg FFL Mast (NL/RL)	ft/min (m/sec)	93/59 (0.47/0.3)	124/81 (0.63/0.41)	130/98 (0.66/0.5)	130/98 (0.66/0.5)
			Opt 3 Stg FFL Mast (NL/RL)	ft/min (m/sec)	94/59 (0.48/0.3)	124/79 (0.63/0.4)	134/100 (0.68/0.51)	134/100 (0.68/0.51)
			Opt 4 Stg FFL Mast (NL/RL)	ft/min (m/sec)	96/59 (0.49/0.3)	124/79 (0.63/0.4)	136/100 (0.69/0.51)	136/100 (0.69/0.51)
	38	Lower Speed	Std 2 Stg LFL Mast (NL/RL)	ft/min (m/sec)	100/112 (0.51/0.57)			
			Opt 2 Stg FFL Mast (NL/RL)	ft/min (m/sec)	91/102 (0.46/0.52)			
			Opt 3 Stg FFL Mast (NL/RL)	ft/min (m/sec)	93/106 (0.47/0.54)			
			Opt 4 Stg FFL Mast (NL/RL)	ft/min (m/sec)	77/89 (0.39/0.45)			
39	Gradability	5 Minute Rating (NL/RL)	%	39/23	40/25	39/27	39/34	
		60 Minute Rating (NL/RL)	%	14/8	15/9	25/16	32/20	
40	Drawbar Pull	5 Minute Rating (NL/RL)	lbf	3373/3202	3486/3306	3773/3946	3773/4968	
		60 Minute Rating (NL/RL)	lbf	1317/1178	1402/1262	2545/2375	3208/3026	
41	Brake	Method of Control (Service/Parking)		Hydraulic/Mechanical				
		Method of Operation (Service/Parking)		Foot/Foot				
ELECTRIC	42	Battery	Type	Lead Acid				
					Standard Performance		Premium Performance Package	
				VOLTS	36	48	48	80
	43	Traction Motor	60 Minute Rating	hp (kW)	18 (13.4)	18 (13.4)	31.6 (23.6)	31.6 (23.6)
	44	Pump Motor	15 Minute Rating	hp (kW)	21.5 (16)	21.5 (16)	31.8 (23.7)	31.8 (23.7)
45	Traction Motor	Type/Control Method		AC/Transistor				
46	Pump Motor	Type/Control Method		AC/Transistor				
47	Number of Speeds	Traction/Pump		Infinitely Variable/Infinitely Variable				
OTHER	48	Step Height		in. (mm)	18.7 (475)			
	49	Floor Height	Lowest Point	in. (mm)	30.4 (772)			
	50	Attachment Relief Pressure			2250 (155.1)			
	51	Auxiliary Oil Flow	3rd and 4th Function	gal/min (l/min)	11 (40)			
	52	Sound Level	Measured per ANSI B56.11.5		dB (A)	60	60	65

Above specifications, unless otherwise listed, are for a standard truck without optional equipment.
Right Angle Stack and Equal Intersecting Aisle dimensions provided with a 48" long and 40" wide pallet load, allowing zero clearance

Yale®		
ERC050VG		
Electric		
Sit		
5000 (2268)		
24 (610)		
Cushion/Cushion		
21 x 7 x 15 /16 x 5 x 10.5		
2X/2		
35.1/41.9/37 (892/1064/940)		
5F/5B 10F/5B (5F/4B)		
83 (2085)		
5 (140)		
33/60 (860/1525)		
125 (3192)		
174/148 (4415/3740)		
88.5/86.5/84.1 (2248/2248/2197/2137)		
38.5/39/38.8 (978/993/988)		
11 (280)		
42.1/48.9 (1070/1242)		
1.6 x 3.9 x 42 (40 x 100 x 1067)		
38.5 (977)		
17 (432)		
3.6/3.3 (91/85)		
3.9/3.6 (98/92)		
14.8 (377)		
23.9/23.5 (607 /597)		
39.1 (992)		
30"		33"
30.9 (786)		33.3 (847)
81.5 (2069)		83.8 (2130)
51.8 (1316)		54.2 (1377)
134.7 (3422)		137 (3480)
72.3 (1837)		73 (1854)
71.9 (1825)		74.2 (1884)
6910 (3134)		6520 (2957)
4500/13243 (2041/6007)		4771/13349 (2164/6055)
5955/2209 (2701/1002)		5666/2112 (2164/958)
Performance		Premium Performance Package
48		80
11.3 (18.2/18.2)		12.3/12.5 (19.8/20.1)
9/9.8 (17.1/15.8)		12.2/12.4 (19.7/19.9)
175 (0.63/0.38)		142/96 (0.72/0.49)
177 (0.63/0.39)		130/93 (0.66/0.47)
177 (0.63/0.39)		134/94 (0.68/0.48)
175 (0.63/0.38)		136/94 (0.69/0.48)
100/112 (0.51/0.57)		
91/106 (0.46/0.54)		
93/108 (0.47/0.55)		
77/91 (0.39/0.46)		
36/21		39/25
14/8		25/15
3464/3257		3773/3909
1380/1212		2545/2345
3208/2993		3773/4926
3208/2993		3208/2993
Hydraulic/Mechanical		
Foot/Foot		
Lead Acid		
Performance		Premium Performance Package
48		80
18 (13.4)		25.5 (19)
21.5 (16)		31.9 (23.8)
31.8 (23.7)		31.8 (23.7)
AC/Transistor		
AC/Transistor		
Infinitely Variable/Infinitely Variable		
18.7 (475)		
30.4 (772)		
2255 (155.5)		
11 (40)		
60		65

Yale®			
ERC055VG			
Electric			
Sit			
5500 (2495)			
24 (610)			
Cushion/Cushion			
21 x 7 x 15 /16 x 5 x 10.5			
2X/2			
35.1/41.9/37 (892/1064/940)			
5F/5B 10F/5B (5F/4B)			
83 (2085)			
5 (140)			
33/60 (860/1525)			
125 (3192)			
174/148 (4415/3740)			
88.5/88.5/86.5/84.1 (2248/2248/2197/2137)			
38.5/39/38.8 (978/993/988)			
11 (280)			
42.1/48.9 (1070/1242)			
1.6 x 3.9 x 42 (40 x 100 x 1067)			
38.5 (977)			
17 (432)			
3.6/3.3 (91/85)			
3.9/3.6 (98/92)			
14.8 (377)			
23.9/23.5 (607 /597)			
39.1 (992)			
33"			
33.3 (847)			
83.8 (2130)			
54.2 (1377)			
137.4 (3490)			
73.6 (1869)			
74.5 (1893)			
6950 (3152)			
4738/14174 (2149/6429)			
5666/2286 (2823/1037)			
Standard Performance		Premium Performance Package	
36		80	
10.7/9.4 (17.3/15.1)		11.3/11.3 (18.2/18.2)	
9.6/8.5 (15.5/13.7)		12.2/12.4 (19.7/19.9)	
100/53 (0.51/0.27)		124/71 (0.63/0.36)	
93/57 (0.47/0.29)		124/75 (0.63/0.38)	
94/55 (0.48/0.28)		124/73 (0.63/0.37)	
96/57 (0.49/0.29)		124/75 (0.63/0.38)	
100/114 (0.51/0.58)			
91/108 (0.46/0.55)			
93/110 (0.47/0.56)			
77/91 (0.39/0.46)			
34/19		34/20	
12/7		13/8	
3350/3139		3456/3243	
1287/1111		1373/1198	
3715/3868		3715/4881	
3198/2956		3198/2956	
Hydraulic/Mechanical			
Foot/Foot			
Lead Acid			
Standard Performance		PowerPlus Performance	
36		80	
18 (13.4)		25.5 (19)	
21.5 (16)		31.9 (23.8)	
31.8 (23.7)		31.8 (23.7)	
AC/Transistor			
AC/Transistor			
Infinitely Variable/Infinitely Variable			
18.7 (475)			
30.4 (772)			
2250 (155.1)			
11 (40)			
60		65	

Yale®			
ERC060VG			
Electric			
Sit			
6000 (2722)			
24 (610)			
Cushion/Cushion			
21 x 8 x 15 /16 x 6 x 10.5			
2X/2			
35.6/40.9/37 (905/1039/940)			
5F/5B 10F/5B (5F/4B)			
83 (2085)			
5 (140)			
33/56 (855/1440)			
118 (3009)			
167/144 (4235/3655)			
88.5/88.5/86.5/84.1 (2248/2248/2197/2137)			
38.5/39/38.8 (978/993/988)			
11 (280)			
43.6/48.9 (1108/1242)			
2 x 4.9 x 42 (50 x 125 x 1067)			
38.5 (977)			
17 (432)			
3.6/3.3 (91/85)			
3.7/3.6 (94/92)			
15.2 (387)			
23.9/23.5 (607 /597)			
39.1 (992)			
33"			
33.3 (847)			
85.9 (2184)			
54.2 (1377)			
138.7 (3522)			
74 (1880)			
75.4 (1915)			
7570 (3434)			
4907/15276 (2226/6929)			
5666/2295 (3023/1041)			
Standard Performance		Premium Performance Package	
36		80	
10.6/9.1 (17/14.6)		11.3/11.3 (18.2/18.2)	
9.5/8.3 (15.3/13.3)		12.2/12.2 (19.7/19.7)	
93/49 (0.47/0.25)		116/65 (0.59/0.33)	
83/49 (0.42/0.25)		108/65 (0.55/0.33)	
85/49 (0.43/0.25)		112/65 (0.57/0.33)	
96/57 (0.49/0.29)		124/75 (0.63/0.38)	
91/110 (0.46/0.56)			
73/102 (0.37/0.52)			
79/104 (0.4/0.53)			
77/91 (0.39/0.46)			
32/19		33/19	
12/7		13/7	
3342/3124		3448/3229	
1280/1094		1365/1184	
3883/3820		2518/2269	
Hydraulic/Mechanical			
Foot/Foot			
Lead Acid			
Standard Performance		PowerPlus Performance	
36		80	
18 (13.4)		25.5 (19)	
21.5 (16)		31.9 (23.8)	
31.8 (23.7)		31.8 (23.7)	
AC/Transistor			
AC/Transistor			
Infinitely Variable/Infinitely Variable			
18.7 (475)			
30.4 (772)			
2250 (155.1)			
11 (40)			
60		65	

Yale®					Yale®					1	GENERAL			
ERC065VG					ERC070VG					2				
Electric					Electric					3				
Sit					Sit					4				
6500 (2948)					7000 (3175)					5				
24 (610)					24 (610)					6				
Cushion/Cushion					Cushion/Cushion					7	TIRES			
21 x 8 x 15 /16 x 6 x 10.5					21 x 9 x 15 /16 x 7 x 10.5					8				
2X/2					2X/2					9				
36.6/39.9/36 (929/1013/915)					36.6/39.9/36 (929/1013/915)					10	DIMENSIONS			
5F/5B 10F/5B (5F/4B)					5F/5B 10F/5B (5F/4B)					11				
83 (2085)					83 (2085)					12				
5 (140)					5 (140)					13				
33/56 (855/1440)					33/56 (855/1440)					14				
118 (3009)					118 (3009)					15				
167/144 (4235/3655)					167/144 (4235/3655)					16				
88.5/88.5/86.5/84.1 (2248/2248/2197/2137)					88.5/88.5/86.5/84.1 (2248/2248/2197/2137)					17				
38.5/39/38.8 (978/993/988)					38.5/39/38.8 (978/993/988)					18				
11 (280)					11 (280)					19				
43.6/48.9 (1108/1242)					45.6/48.9 (1158/1242)					20				
1.6 x 3.9 x 42 (40 x 100 x 1067)					2 x 4.9 x 42 (50 x 125 x 1067)					21				
38.5 (977)					38.5 (977)					22				
17 (432)					17 (432)					23				
3.6/3.3 (91/85)					3.6/3.3 (91/85)					24				
3.7/3.6 (94/92)					3.7/3.6 (94/92)					25				
15.2 (387)					15.2 (387)					26				
23.9/23.5 (607 /597)					23.9/23.5 (607 /597)									
39.1 (992)					39.1 (992)									
36"					40"									
36.7 (933)					40 (1015)									
89.4 (2270)					91.7 (2328)					27				
57.6 (1463)					60.8 (1545)					28				
142.4 (3616)					145 (3684)					29				
75.9 (1928)					76.9 (1952)					30				
79.1 (2008)					81.7 (2074)					31				
7750 (3515)					7390 (3352)					32				
5093/16047 (2310/7279)					5348/16065 (2426/7287)					33				
6729/2273 (3052/1031)					6400/2180 (2903/989)					34				
Standard Performance					Premium Performance Package									
36					48									
10.6/9.1 (17/14.6)					11.3/11.3 (18.2/18.2)					12.3/12.7 (19.8/20.4)	12.3/12.4 (19.8/20)	36		
9.5/8.2 (15.3/13.2)					10.4/9.3 (16.7/15)					12.2/12.1 (19.7/19.5)	12.2/11.8 (19.7/19)			
93/47 (0.47/0.24)					116/63 (0.59/0.32)					124/79 (0.63/0.4)	124/79 (0.63/0.4)	37		
116/81 (0.59/0.41)					83/47 (0.42/0.24)					108/63 (0.55/0.32)	116/77 (0.59/0.39)			
118/81 (0.6/0.41)					85/47 (0.43/0.24)					112/63 (0.57/0.32)	118/77 (0.6/0.39)			
136/94 (0.69/0.48)					96/57 (0.49/0.29)					124/75 (0.63/0.38)	136/94 (0.69/0.48)			
91/112 (0.46/0.57)					91/114 (0.46/0.58)						38			
73/104 (0.37/0.53)					73/106 (0.37/0.54)									
79/106 (0.4/0.54)					79/106 (0.4/0.54)									
77/91 (0.39/0.46)					77/91 (0.39/0.46)									
36/28					31/18					31/19	37/21	37/26	39	
29/16					12/6					12/7	22/12	28/16		
3883/4830					3335/3107					3440/3211	4084/3791	4084/4798	40	
3181/2912					1274/1083					1360/1167	2513/2245	3176/2886		
Hydraulic/Mechanical					Hydraulic/Mechanical						41			
Foot/Foot					Foot/Foot									
Lead Acid					Lead Acid						42			
Standard Performance					PowerPlus Performance									
36					48					48	80			
31.6 (23.6)					18 (13.4)					18 (13.4)	25.5 (19)	31.6 (23.6)	43	
31.8 (23.7)					21.5 (16)					21.5 (16)	31.9 (23.8)	31.8 (23.7)	44	
AC/Transistor					AC/Transistor						45			
AC/Transistor					AC/Transistor						46			
Infinitely Variable/Infinitely Variable					Infinitely Variable/Infinitely Variable						47			
18.7 (475)					18.7 (475)						48			
30.4 (772)					30.4 (772)						49			
2255 (155.5)					2250 (155.1)						50			
11 (40)					11 (40)						51			
65					60					60	65	65	52	
										60	60	65	65	OTHER

FRAME

The frame is a unitized construction, stress tested for durability. An integral step on both sides of the truck is provided for easy entry and exit. The truck has a two-piece floor plate that can be easily lifted out for service access. An easily removable counterweight top cover gives easy access to components. A stamped steel, gas spring-assisted battery cover allows easy changing of the battery. The battery compartment can be fitted with rollers.

ADDITIONAL FEATURES

Additional features on the ERC-VG include an overhead guard, 42" forks, non-suspension seat, seat belt and an operator sensing switch. An infinitely adjustable tilt steering column, rubber floor mat, and electric horn are also standard.

OPTIONS

- Accutouch e-hydraulics Mini-levers
- Foot Directional Control Pedal
- Return to set tilt
- Telescoping Steering Column with Tilt Memory
- Rapid charge
- Cold storage/freezer packages
- Raised battery compartment cover
- Wide tread
- Full suspension seats (with and without swivel)
- Red (Hi-Vis) ELR non-cinch seat belt
- Various battery compartment lengths
- Battery rollers
- Overhead guard mounted headlights
- Lowered overhead guard
- Drive-in rack overhead guard
- LED and Halogen work light/tail light packages
- LED Dome/reading light
- 10° forward tilt

- Integral sidershifter
- 48, 80 volt
- Premium Performance Package
- Audible Alarm – Reverse Operation
- Light - Amber strobe
- Various type drive tires
- Type "EE" UL construction
- Dual Rear View Mirrors
- Panoramic Rear View Mirrors
- Fire Extinguisher
- Accumulator

MAST SPECIFICATIONS												
Model ERC045-055VG	OAH in (mm)	Free Fork Ht. w/o LBR in (mm)	Max Fork Height in (mm)	Extended Ht. w/LBR in (mm)	Tilt Rwd/Fwd	Approx Truck Weight (no battery)						
						ERC045VX lbs		ERC050VX kg		ERC055VX kg		
Simplex	83 (2085)	5 (140)	125 (3192)	174 (4415)	5° 5°	6860	3112	7270	3298	6950	3152	
	86 (2185)	5 (140)	133 (3392)	182 (4615)	5° 5°	7060	3202	7470	3388	7150	3243	
	88 (2235)	5 (140)	137 (3492)	186 (4715)	5° 5°	7160	3248	7570	3434	7250	3289	
Duplex	83 (2085)	60 (1525)	126 (3202)	175 (4425)	5° 5°	6960	3157	7370	3343	7050	3198	
	86 (2185)	64 (1625)	133 (3402)	183 (4625)	5° 5°	7160	3248	7570	3434	7250	3289	
	88 (2235)	65 (1675)	137 (3502)	186 (4725)	5° 5°	7260	3293	7670	3479	7350	3334	
Triplex	83 (2085)	60 (1545)	189 (4800)	238 (6025)	5° 5°	7460	3384	7870	3570	7550	3425	
	85 (2135)	62 (1595)	194 (4950)	244 (6175)	5° 5°	7480	3393	7890	3579	7570	3434	
	88 (2235)	66 (1695)	200 (5100)	249 (6325)	5° 5°	7530	3416	7940	3602	7620	3456	
	94 (2385)	72 (1845)	218 (5550)	267 (6775)	5° 5°	7610	3452	8020	3638	7700	3493	
Quadplex	102 (2585)	80 (2045)	236 (6000)	285 (7225)	5° 5°	7690	3488	8100	3674	7780	3529	
	84 (2133)	59 (1513)	240 (6098)	289 (7321)	4° 5°	8000	3629	8410	3815	8090	3670	
	88 (2235)	63 (1615)	252 (6404)	301 (7626)	4° 5°	8070	3660	8480	3846	8160	3701	
92 (2336)	67 (1716)	264 (6710)	313 (7931)	4° 5°	8140	3692	8550	3878	8230	3733		

MAST SPECIFICATIONS												
Model ERC060-070VG	OAH in (mm)	Free Fork Ht. w/o LBR in (mm)	Max Fork Height in (mm)	Extended Ht. w/LBR in (mm)	Tilt Rwd/Fwd	Approx Truck Weight (no battery)						
						ERC065VX lbs		ERC070VX kg		ERC075VX kg		
Simplex	83 (2085)	5 (150)	118 (3009)	167 (4235)	5° 5°	7570	3434	7750	3515	7850	3561	
	86 (2185)	5 (150)	126 (3209)	175 (4435)	5° 5°	7640	3465	7820	3547	7920	3592	
	88 (2235)	5 (150)	130 (3309)	179 (4535)	5° 5°	7720	3502	7900	3583	8000	3629	
Duplex	83 (2085)	56 (1440)	118 (3010)	167 (4235)	5° 5°	7630	3461	7810	3543	7910	3588	
	86 (2185)	60 (1540)	126 (3210)	175 (4435)	5° 5°	7670	3479	7850	3561	7950	3606	
	88 (2235)	62 (1590)	130 (3310)	179 (4535)	5° 5°	7810	3543	7990	3624	8090	3670	
Triplex	83 (2085)	57 (1455)	175 (4468)	225 (5695)	5° 5°	8050	3651	8230	3733	8330	3778	
	85 (2135)	59 (1505)	181 (4618)	231 (5845)	5° 5°	8150	3697	8330	3778	8430	3824	
	88 (2235)	63 (1605)	187 (4768)	236 (5995)	5° 5°	8240	3738	8420	3819	8520	3865	
	94 (2385)	69 (1755)	205 (5218)	254 (6445)	5° 5°	8310	3769	8490	3851	8590	3896	
Quadplex	102 (2585)	77 (1955)	223 (5668)	272 (6895)	5° 5°	8410	3815	8590	3896	8690	3942	
	84 (2133)	59 (1513)	240 (6098)	289 (7321)	4° 5°	8510	3860	8690	3942	8790	3987	
	88 (2235)	63 (1615)	252 (6404)	301 (7626)	4° 5°	8580	3892	8760	3973	8860	4019	
92 (2336)	67 (1716)	264 (6710)	313 (7931)	4° 5°	8650	3924	8830	4005	8930	4051		

BATTERY AND COMPARTMENT SPECIFICATIONS												
Model	Compartment Size			Battery Specifications								
				Electrical				Size			Weight	
	W	L	H	Volts	No. of Cells	Plates per Cell	Max Amp Hr	"X" Max in (mm)	"Y" Max in (mm)	"Z" Max in (mm)	Min lbs (kg)	Max lbs (kg)
ERC045-050VG 27" Compartment	39.1 (992)	27.6 (700)	23.9 (607)	36	18	23	1100 (38.3)	38.7 (983)	27.2 (691)	23.5 (597)	2300 (1050)	3300 (1500)
				48	24	17	800 (37.2)					
				80	40	9	375 (29.3)					
ERC045-050VG 30" Compartment	39.1 (992)	30.9 (786)	23.9 (607)	36	18	25	1200 (41.9)	38.7 (983)	30.6 (777)	23.5 (597)	2500 (1150)	3500 (1600)
				48	24	19	900 (42)					
				80	40	9	400 (31.2)					
ERC045-060VG 33" Compartment	39.1 (992)	33.3 (847)	23.9 (607)	36	18	27	1300 (45.4)	38.7 (983)	33 (838)	23.5 (597)	2900 (1320)	3900 (1770)
				48	24	21	1000 (46.6)					
				80	40	11	450 (35.1)					
ERC065VG 36" Compartment	39.1 (992)	36.7 (933)	23.9 (607)	36	18	31	1500 (52.4)	38.7 (983)	36.4 (924)	23.5 (597)	3100 (1410)	4100 (1860)
				48	24	23	1100 (51.1)					
				80	40	13	600 (46.8)					
ERC065-070VG 40" Compartment	39.1 (992)	40 (1015)	23.9 (607)	36	18	33	1600 (55.8)	38.7 (983)	39.6 (1006)	23.5 (597)	3400 (1550)	4400 (2000)
				48	24	25	1200 (55.9)					
				80	40	13	600 (46.8)					

Truck performance may be affected by the condition of the vehicle, how it is equipped and the application. Consult your Yale® Industrial Truck Dealer if any of the information shown is critical to your application. Specifications are subject to change without notice.

This truck meets all design specifications of ANSI B56.1 Safety Standard for Powered Industrial Trucks at the time of manufacture. Classified by Underwriters' Laboratories, Inc. as to fire hazard only.

The Yale® products included in this document may be covered by US patent 6,684,148 and other patents pending.

Yale, the Yale Logo, Veracitor™ VX and Yale Global Hi Vis™ Mast are trademarks or registered trademarks of Yale Materials Handling Corporation in the United States and other countries.

Battery Type: "E0" (Without Cover)
 Battery amp hr (kwh) capacity is max allowable per UL
 Commercially available lead acid batteries may not necessarily reach these max limits
 Battery Roller option reduces battery compartment height to 23.5" (597mm) & max battery height to 23.1" (587mm)
 Battery Compartment Length is measured front to rear. Battery Compartment Width is measured across the truck

Battery Notes - Conventional Charging (Opt G26201)
 Battery Connector: 36 volt - Grey SB®350 (Anderson Power Products® P/N 6320G1 or equivalent)
 48 volt - Blue SB®350 (Anderson Power Products® P/N 6321G1 or equivalent)
 80 volt - Black SBE®320 (Anderson Power Products® P/N E6363G1 or equivalent)
 Battery Lead: Length 20" (508 mm), Position "B", 2/0 AWG

Battery Notes - Rapid / Fast Charging (Opt G26202)
 Battery Connector: Requires Dual Positive / Negative Cabling terminating in (2) Female EBC-320 DIN Connectors (Anderson Power Products® P/N A32503-0009 or equivalent)
 Each individual DIN connector to include 1 Red Conductor to (+) and 1 black conductor to (-)
 Battery Lead: Length 25" (635 mm), Position "B", Minimum Cable Size 3/0 AWG



Yale Materials Handling Corporation
 P.O. Box 7367, Greenville, North Carolina 27835-7367

2381-1A 5/12

© 2012 Yale Materials Handling Corporation. is a registered copyright of Yale Materials Handling Corporation. YALE and VERACITOR are registered trademarks of Yale Materials Handling Corporation. PREMIER is a trademark of Yale Materials Handling Corporation.

Manufactured in our own ISO 9001 and 14001 Registered Facilities