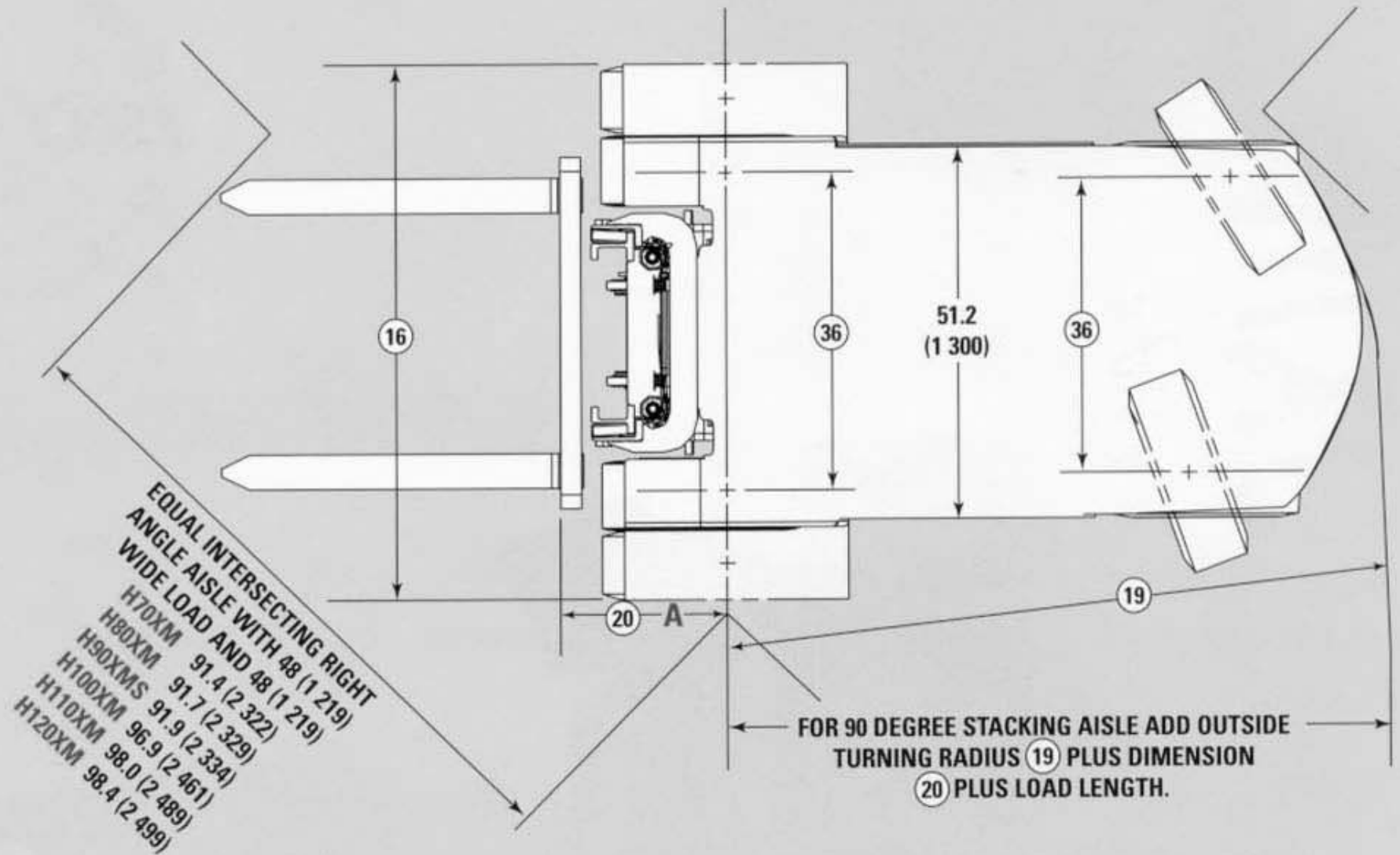


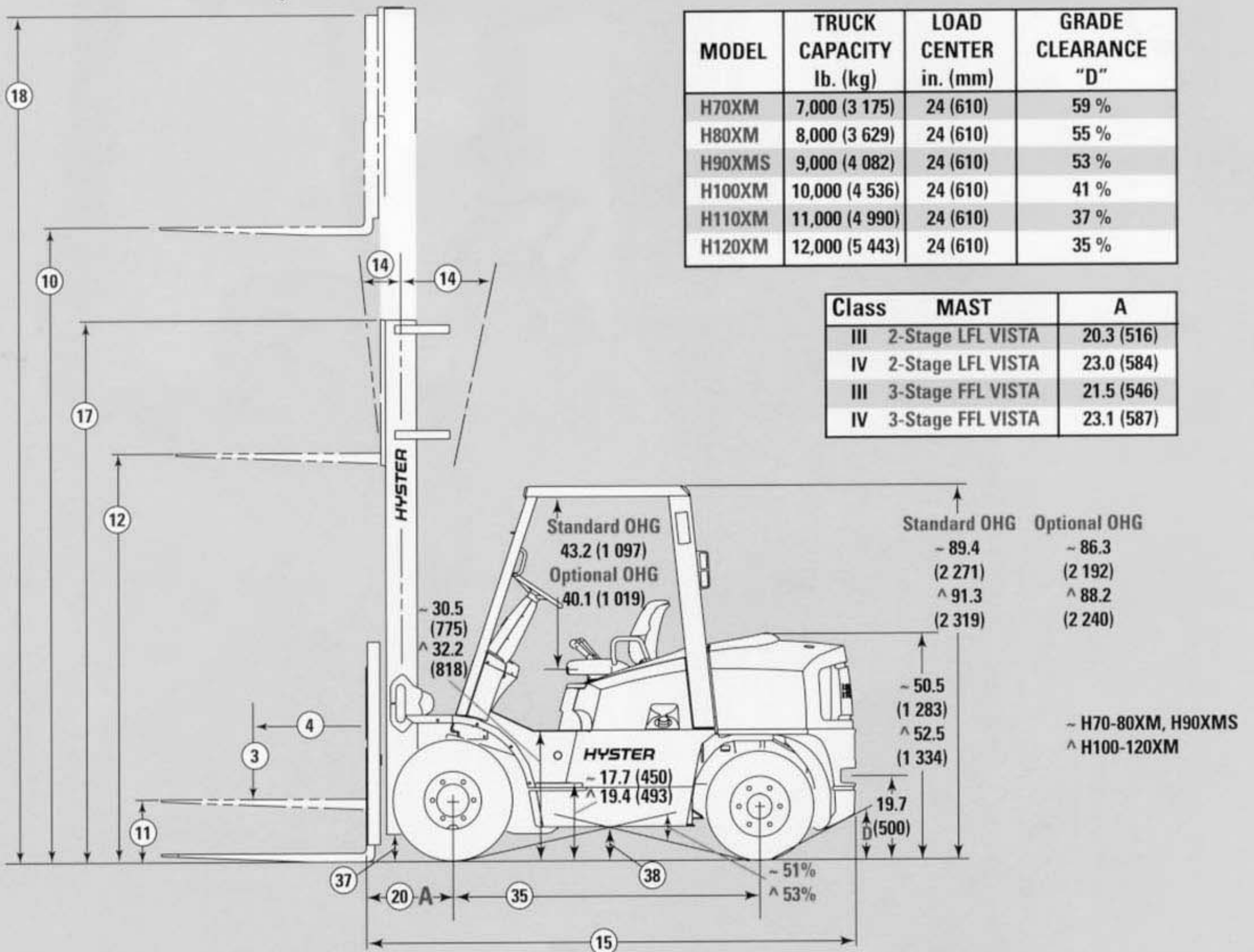


# Hyster H70-120XM Lift Truck Specifications



MODEL	TRUCK CAPACITY lb. (kg)	LOAD CENTER in. (mm)	GRADE CLEARANCE "D"
H70XM	7,000 (3 175)	24 (610)	59 %
H80XM	8,000 (3 629)	24 (610)	55 %
H90XMS	9,000 (4 082)	24 (610)	53 %
H100XM	10,000 (4 536)	24 (610)	41 %
H110XM	11,000 (4 990)	24 (610)	37 %
H120XM	12,000 (5 443)	24 (610)	35 %

Class	MAST	A
III	2-Stage LFL VISTA	20.3 (516)
IV	2-Stage LFL VISTA	23.0 (584)
III	3-Stage FFL VISTA	21.5 (546)
IV	3-Stage FFL VISTA	23.1 (587)



Circled dimensions correspond to the line numbers on the tabulated chart inside the Technical Guide. Dimensions are in inches (millimeters).